

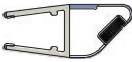
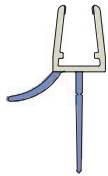



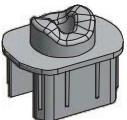



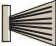



## CI EPF











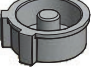


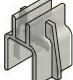
POS.	PREVIEW	PCS	SPARE PART
1.		1	V308
2.		1	V307 FIX
3.		1	P6139
4.		1	P6122
5.		1	P6133 (VPE) P6809 (NPE)
6.		1	MA9198 (VPE) MB2332 (NPE)
7.	ACCESSORIES	1	P6151 (VPE) P6942 (NPE)
8.		1	P317

POS.	PREVIEW	PCS	SPARE PART
1.1		2	MA9747 (VPE) MB2419 (NPE)

## 2. FIX

POS.	PREVIEW	PCS	SPARE PART
2.1		1	V307
2.2		2	MA9742 (VPE) MB2474 (NPE)
2.3		1	P5941 (VPE) P6792 (NPE)
2.4		1	ND01-3398
2.5		2	M3372

## 7. P6151 (VPE) P6942 (NPE)

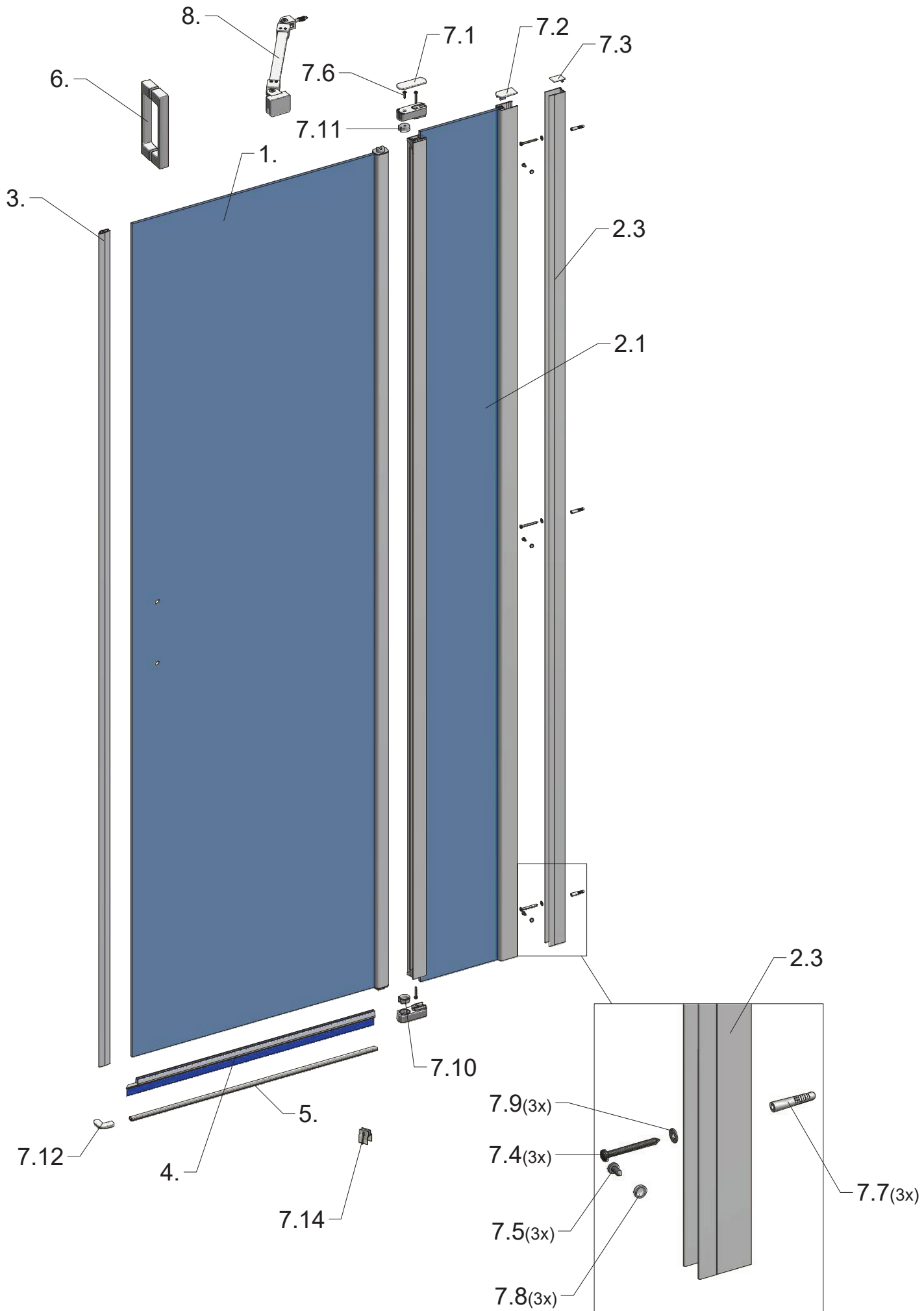
POS.	PREVIEW
7.1	
7.2	
7.3	
7.4	3x 
7.5	3x 
7.6	
7.7	3x 
7.8	3x 
7.9	3x 
7.10	
7.11	
7.12	
7.13	
7.14	

1. V308		
SIZE	clear glass+black	clear glass+brillant
750		ND02-0960-00-02
800	ND02-0961-05-02	ND02-0961-00-02
900	ND02-0962-05-02	ND02-0962-00-02
1000	ND02-0932-05-02	ND02-0932-00-02
1100	ND02-0963-05-02	ND02-0963-00-02
1200	ND02-0963-05-02	ND02-0963-00-02
1400	ND02-0935-05-02	ND02-0935-00-02

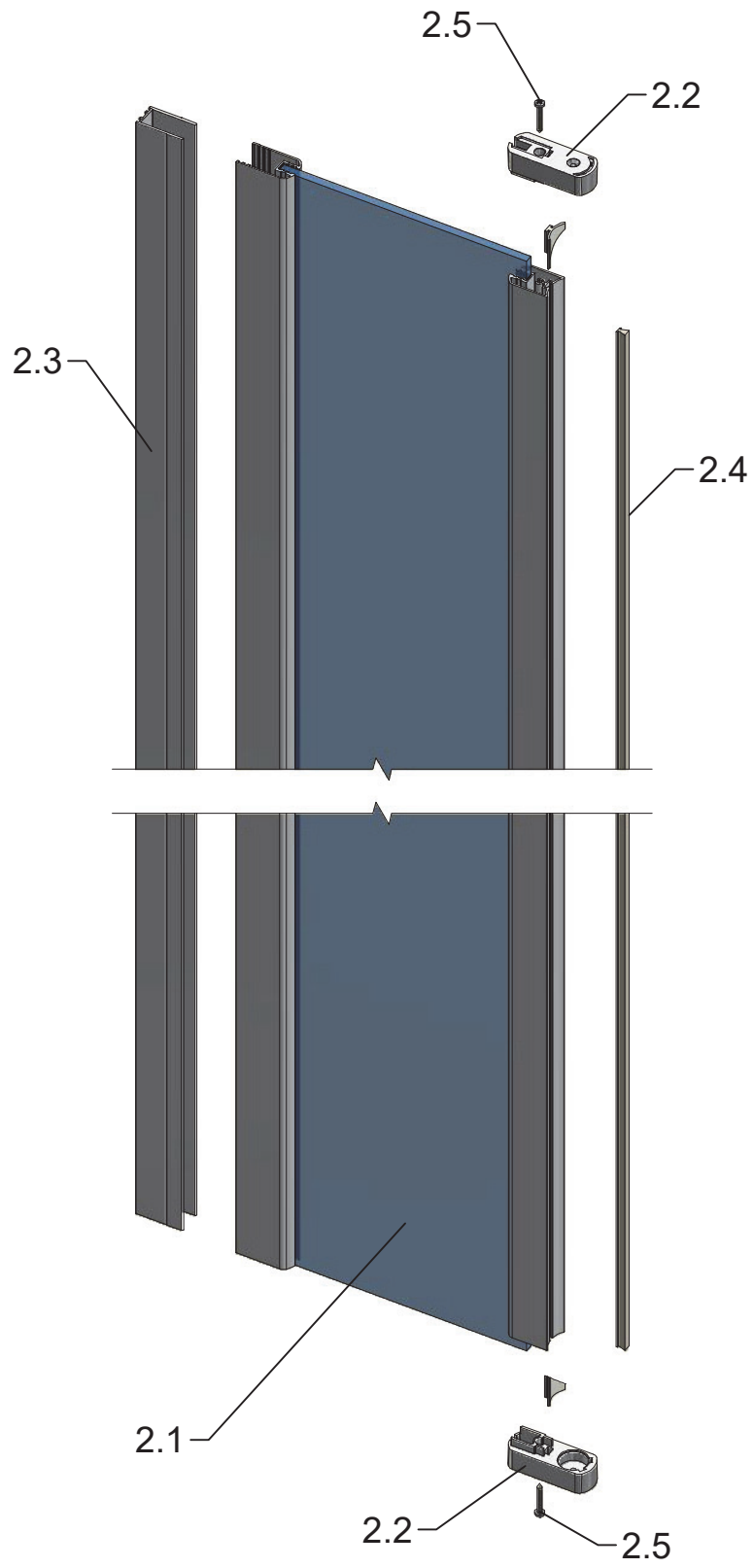
2.1 V307		
SIZE	clear glass+black	clear glass+brillant
750		ND03-0965-00-02
800	ND03-0965-05-02	ND03-0965-00-02
900	ND03-0965-05-02	ND03-0965-00-02
1000	ND03-0966-05-02	ND03-0966-00-02
1100	ND03-0966-05-02	ND03-0966-00-02
1200	ND03-0967-05-02	ND03-0967-00-02
1400	ND03-0969-05-02	ND03-0969-00-02

8. P317		
SIZE	black	brillant
750;800;900;1000;1100	MB2387	MB0229
1200;1400	MB2388	MB0230

# CI EPF



## 2. FIX



## 8. P317

