


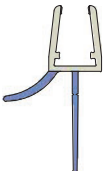



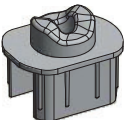



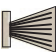



CI PIF


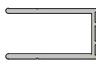
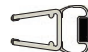

POS.	PREVIEW	PCS	SPARE PART
1.		1	V306
2.		1	FIX V304
3.		1	P6285 (VPE) P6919 (NPE)
4.		1	P6119
5.		1	P6133 (VPE) P6809 (NPE)
6.		1	MA9198 (VPE) MB2332 (NPE)
7.	ACCESSORIES	1	P6149 (VPE) P6935 (NPE)
8.		1	P316

POS.	PREVIEW	PCS	SPARE PART
1.1		2	MA9747 (VPE) MB2419 (NPE)

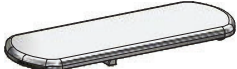
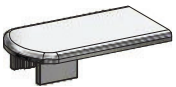








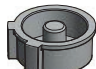


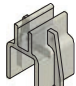
2. FIX

POS.	PREVIEW	PCS	SPARE PART
2.1		1	V304
2.2		2	MA9742 (VPE) MB2474 (NPE)
2.3		1	P5941 (VPE) P6792 (NPE)
2.4		1	ND01-3398
2.5		2	M3372

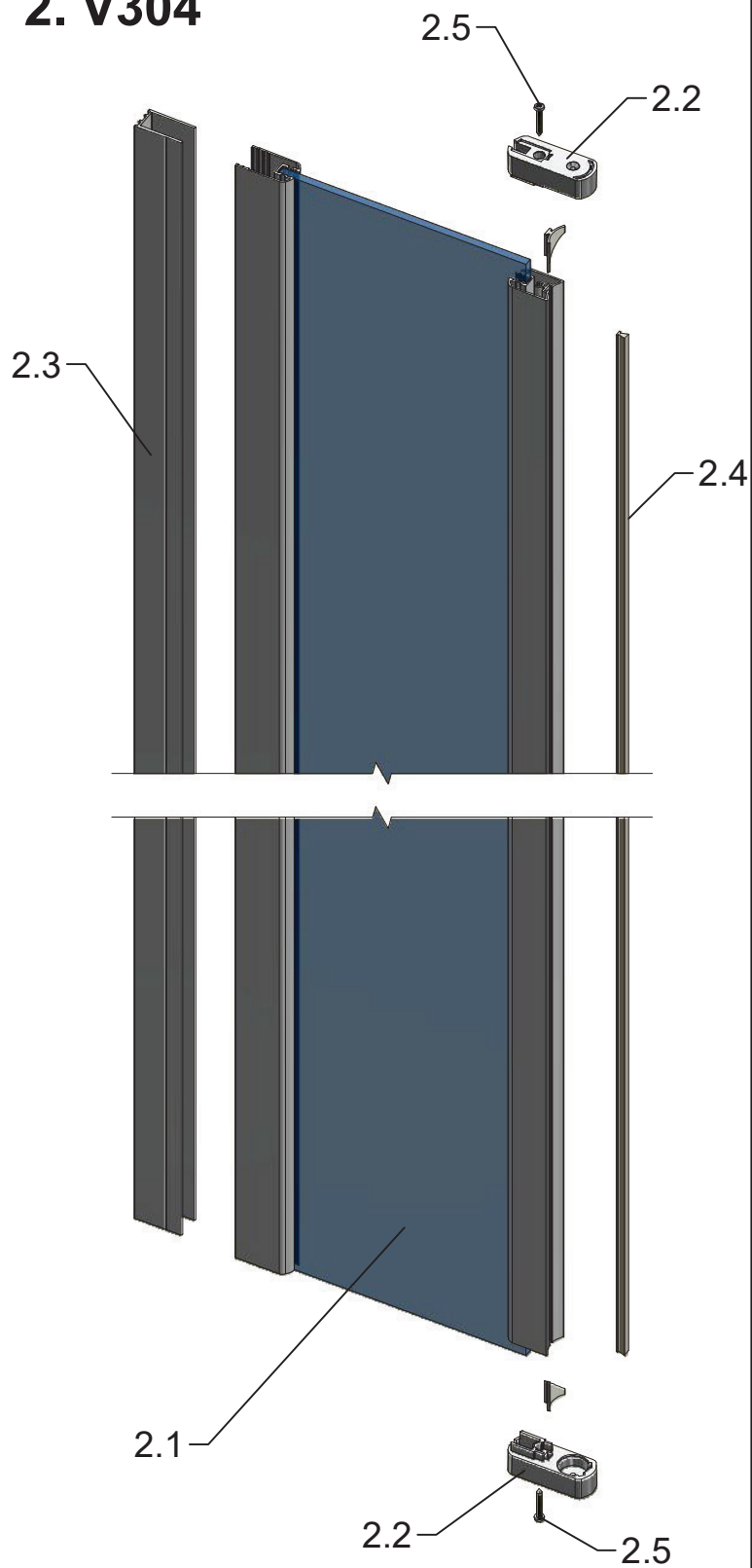
3. P6285

POS.	PREVIEW	PCS	SPARE PART
3.1		1	P5886 (VPE) P6899 (NPE)
3.2		1	P5941 (VPE) P6792 (NPE)
3.3		1	P6135
3.4		1	M8169 (VPE) MB1623 (NPE)

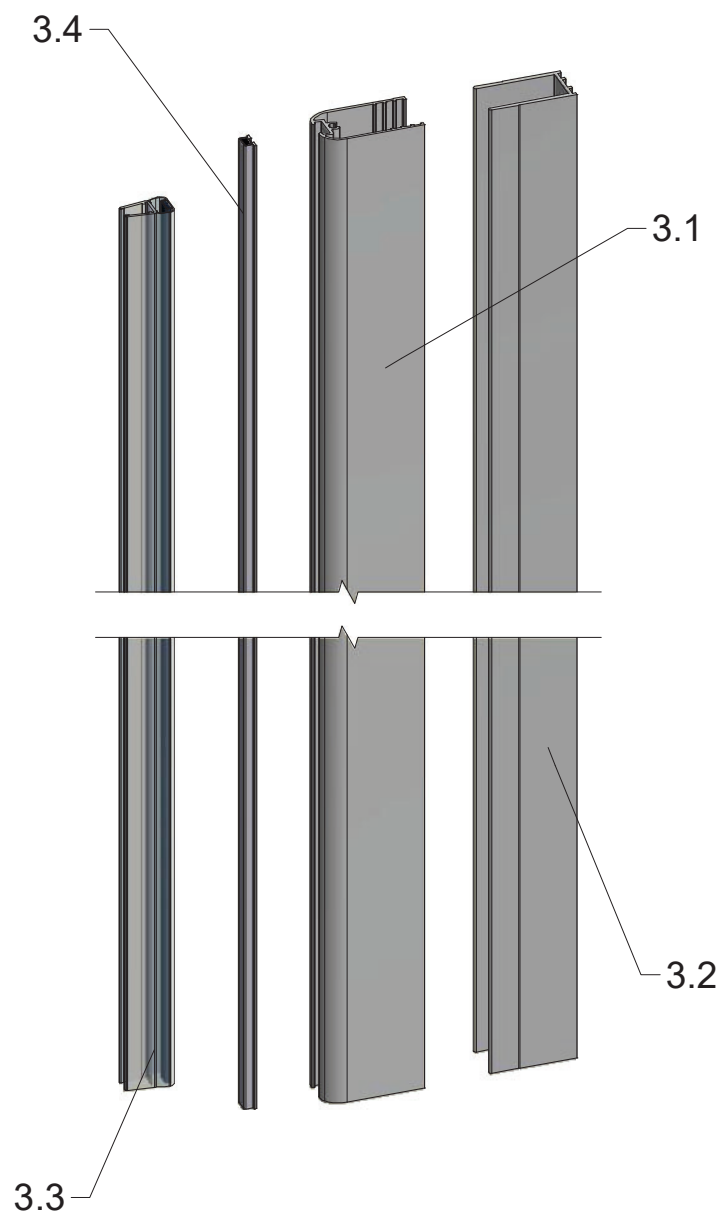
7. P6149 (VPE) P6935 (NPE)

POS.	PREVIEW
7.1	
7.2	
7.3	
7.4	6x 
7.5	6x 
7.6	
7.7	6x 
7.8	6x 
7.9	6x 
7.10	
7.11	
7.12	
7.13 7.14	 + 

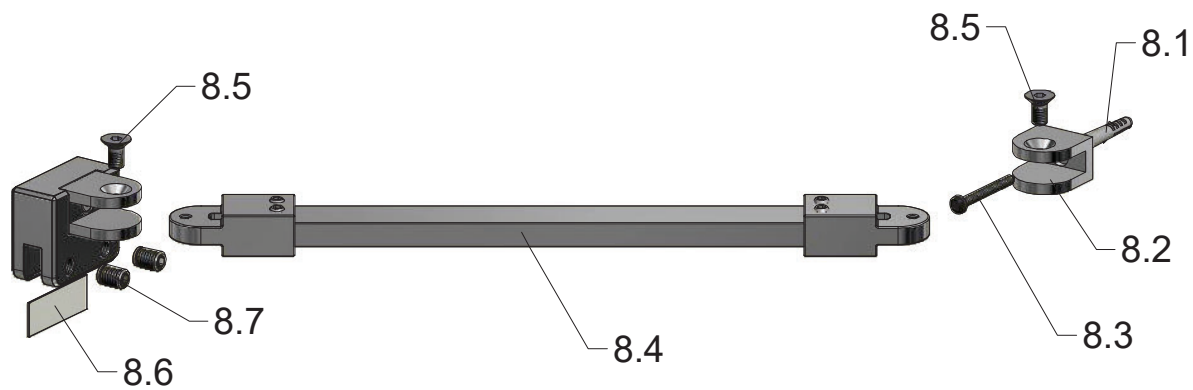
2. V304



3. P6285 (VPE) P6919 (NPE)



8. P316



1. V306		
SIZE	clear glass+black	clear glas+brillant
800	ND02-0959-05-02	ND02-0959-00-02
900	ND02-0914-05-02	ND02-0914-00-02
1000	ND02-0915-05-02	ND02-0915-00-02
1100	ND02-0917-05-02	ND02-0917-00-02
1200	ND02-0917-05-02	ND02-0917-00-02
1220	-	ND02-0918-00-02
1400	ND02-0920-05-02	ND02-0920-00-02

2.1 V304		
SIZE	clear glass+black	clear glass+brillant
800	ND03-0965-05-02	ND03-0965-00-02
900	ND03-0965-05-02	ND03-0965-00-02
1000	ND03-0966-05-02	ND03-0966-00-02
1100	ND03-0966-05-02	ND03-0966-00-02
1200	ND03-0967-05-02	ND03-0967-00-02
1220	-	ND03-0968-00-02
1400	ND03-0969-05-02	ND03-0969-00-02

8. P316		
SIZE	black	brillant
800;900;1000;1100	MB2387	MB0229
1200;1220;1400	MB2388	MB0230

