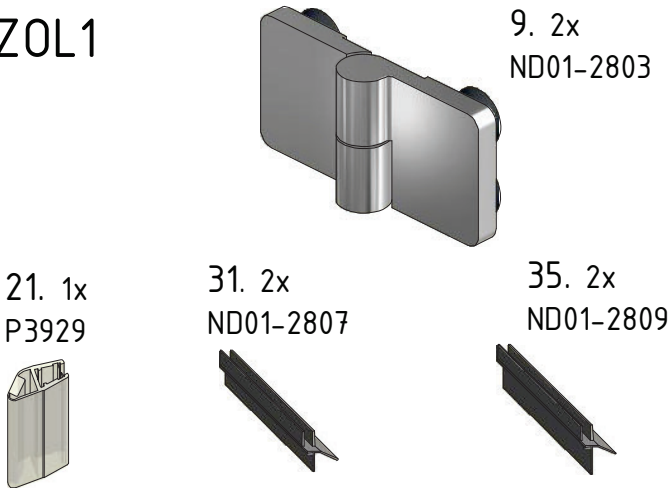
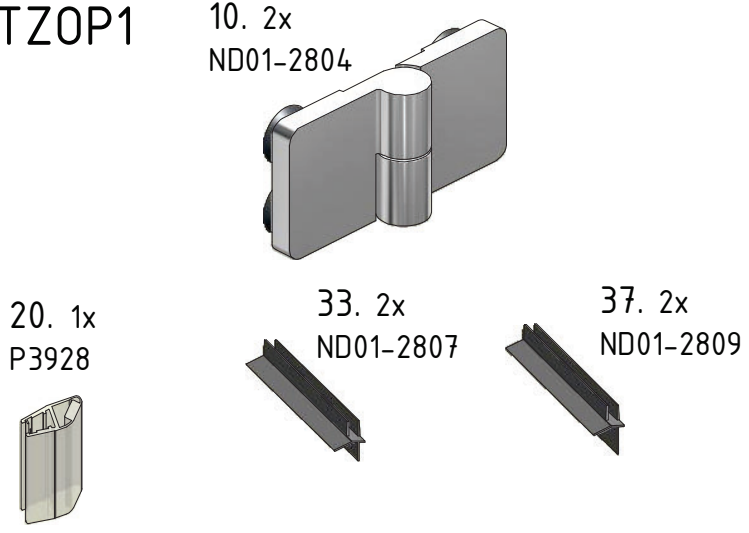


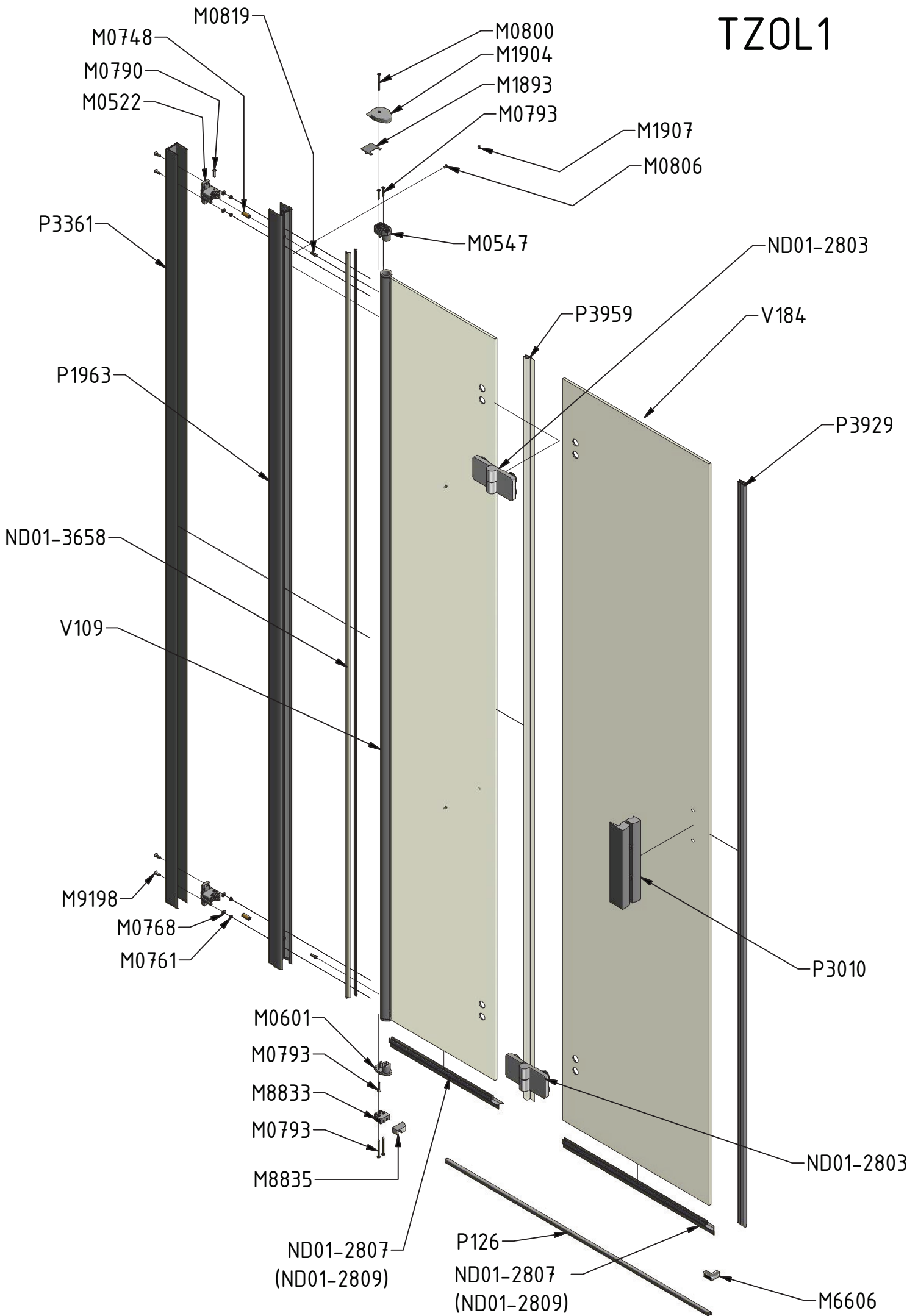
TZOL1



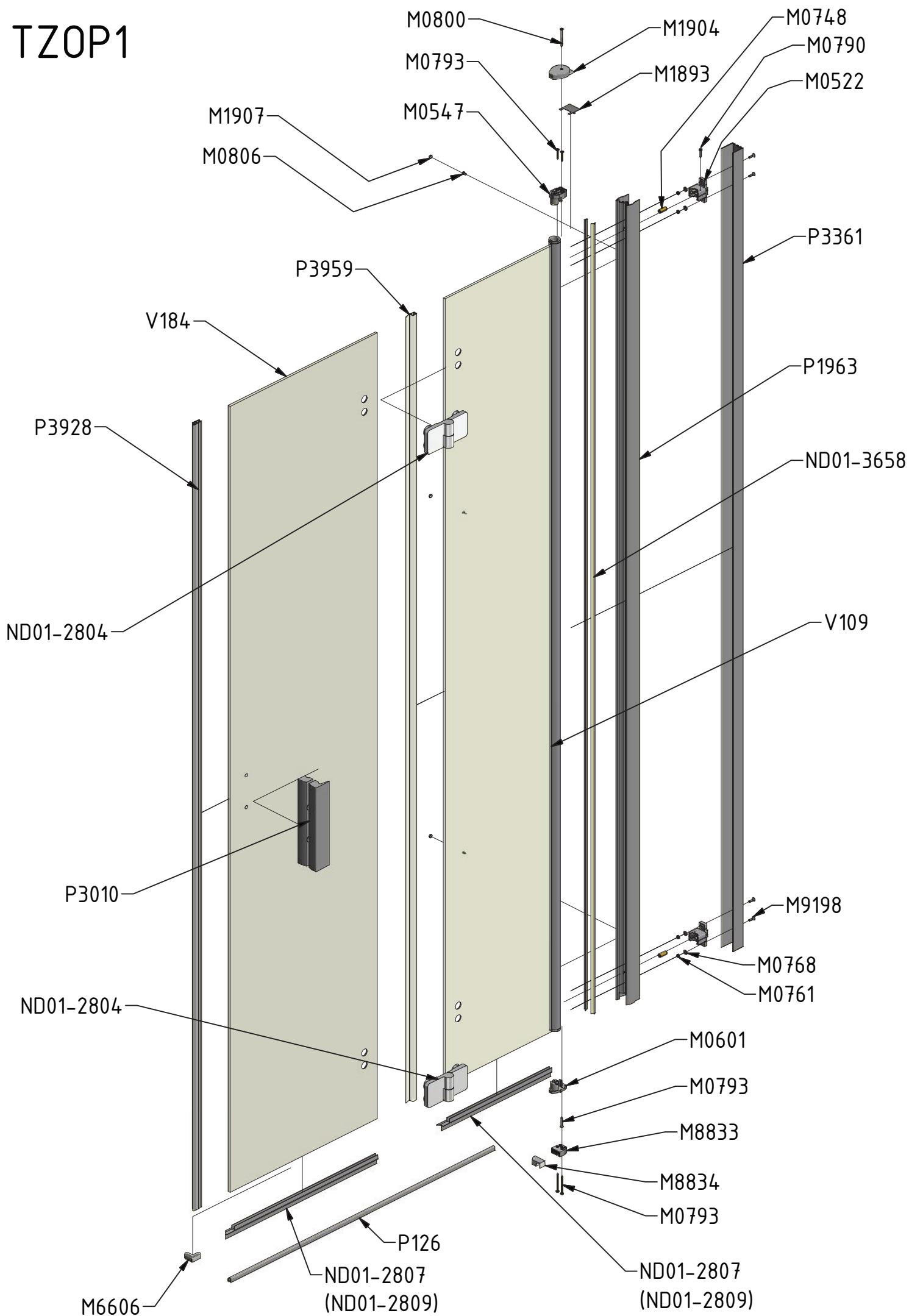
TZOP1



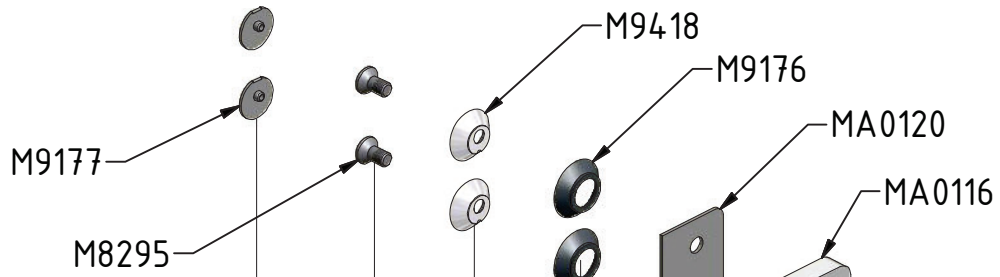
TZOL1



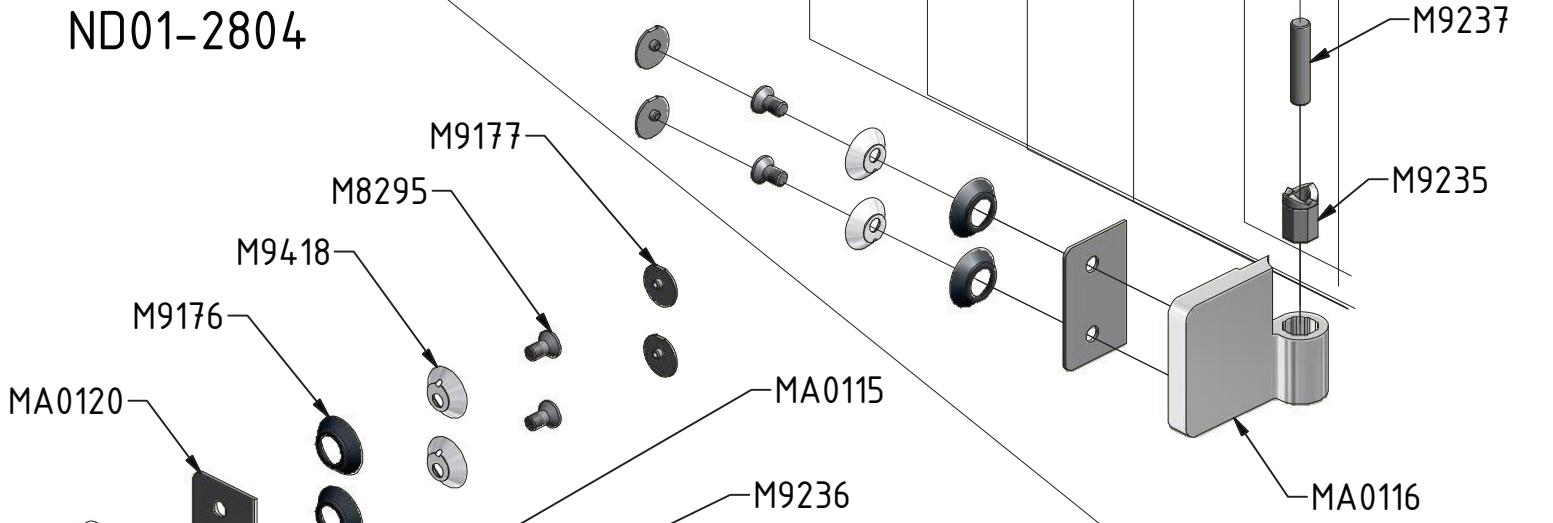
TZOP1



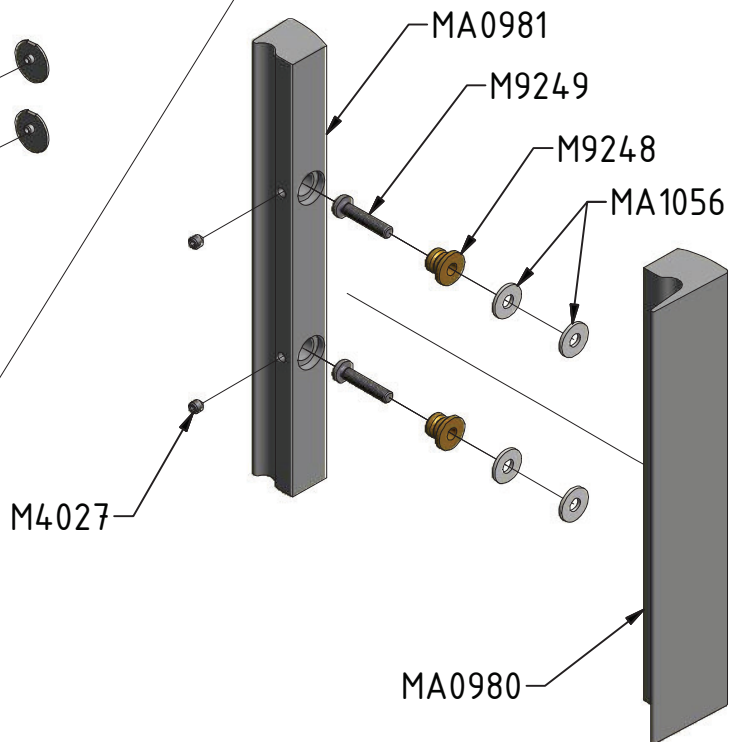
ND01-2803



ND01-2804



P3010



| | | | | |
|------|-----------|----------------------|--------------------|-----------------|
| P126 | 800 | | | ND01-2805-8 |
| | 900 | | | ND01-2805-9 |
| | 1000 | | | ND01-2805-1 |
| | 1100 | | | ND01-2805-11 |
| | 1200 | | | ND01-2805-12 |
| V109 | 800 | brillant+clear glass | brillant+čiré sklo | ND02-0649-00-02 |
| | 900;1000 | brillant+clear glass | brillant+čiré sklo | ND02-0650-00-02 |
| | 1100;1200 | brillant+clear glass | brillant+čiré sklo | ND02-0651-00-02 |
| V184 | 800;900 | clear glass | čiré sklo | ND02-0747-00-02 |
| | 1000;1100 | clear glass | čiré sklo | ND02-0748-00-02 |
| | 1200 | clear glass | čiré sklo | ND02-0749-00-02 |