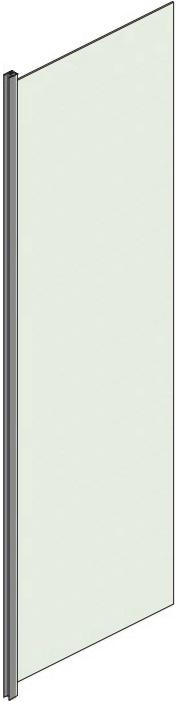
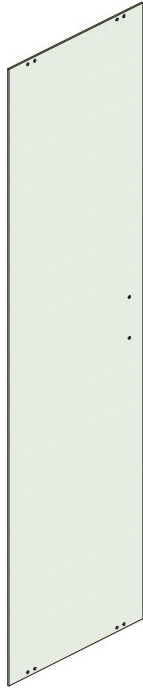


3. 1x (P3896) 7. 1x (P3897) 9. 1x (P3899)

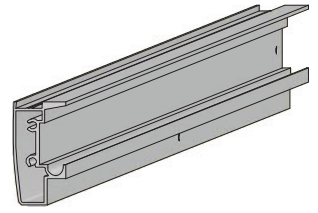
1. 1x
V182



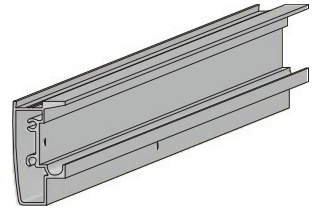
2. 1x
V183



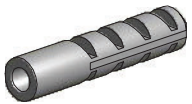
8A. 1x (P168)



8B. 1x (P169)



4. 6x (M0511)



5. 3x (M0795)



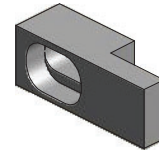
6. 12x (MA0511)



10. 8x (M0790)



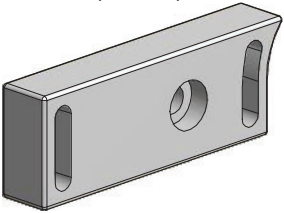
11. 2x (MA0064)



12. 10x (M0806)



13. 2x (M5425)



15. 1x (M0838)



14. 4x
(MA3119)



22. 1x (MB1851)



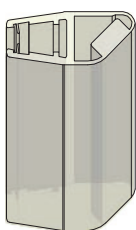
25. 3x (M0790)



17. 1x+1x
(P3902;P3903)



18. 1x (P3904)

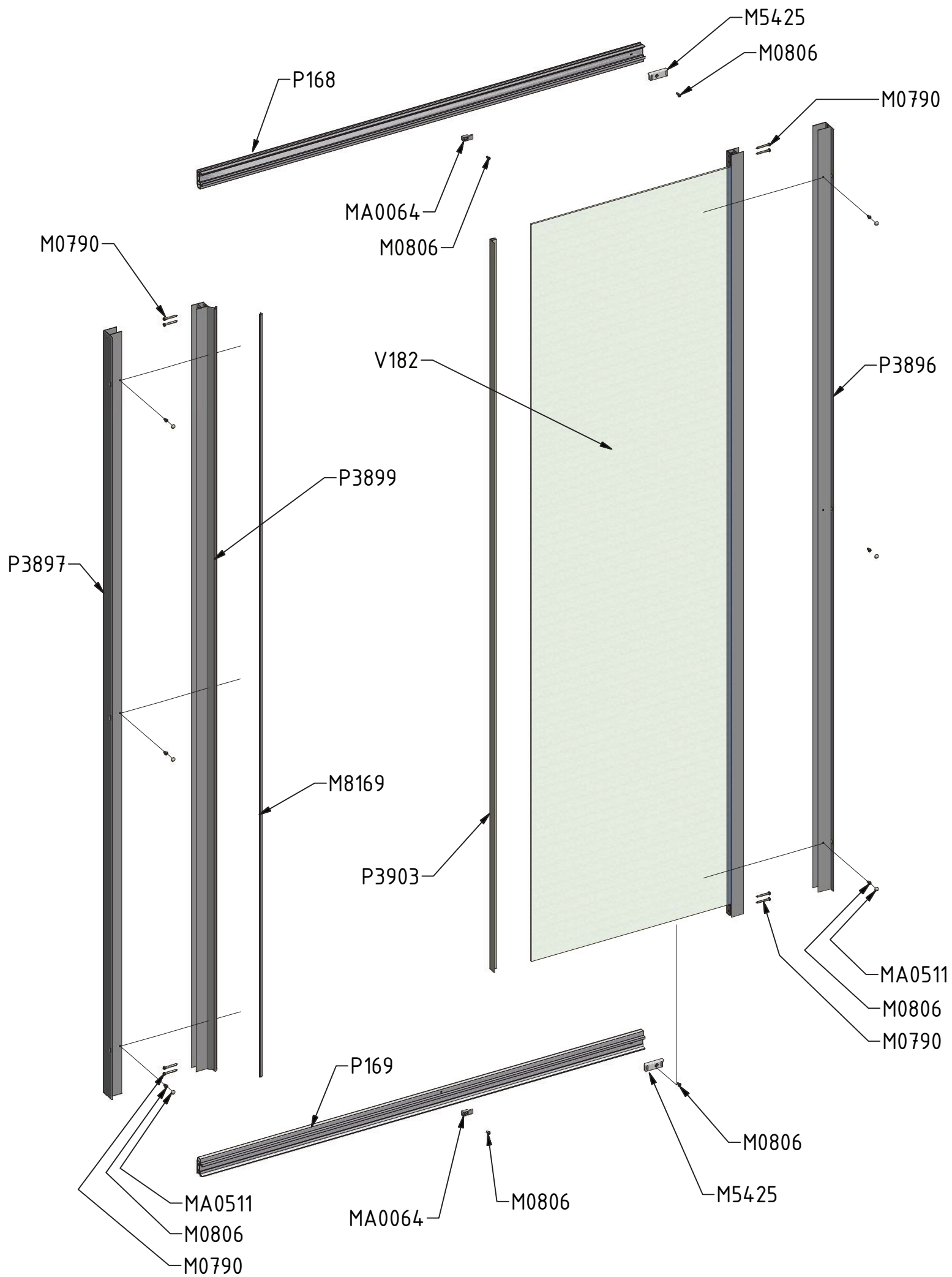


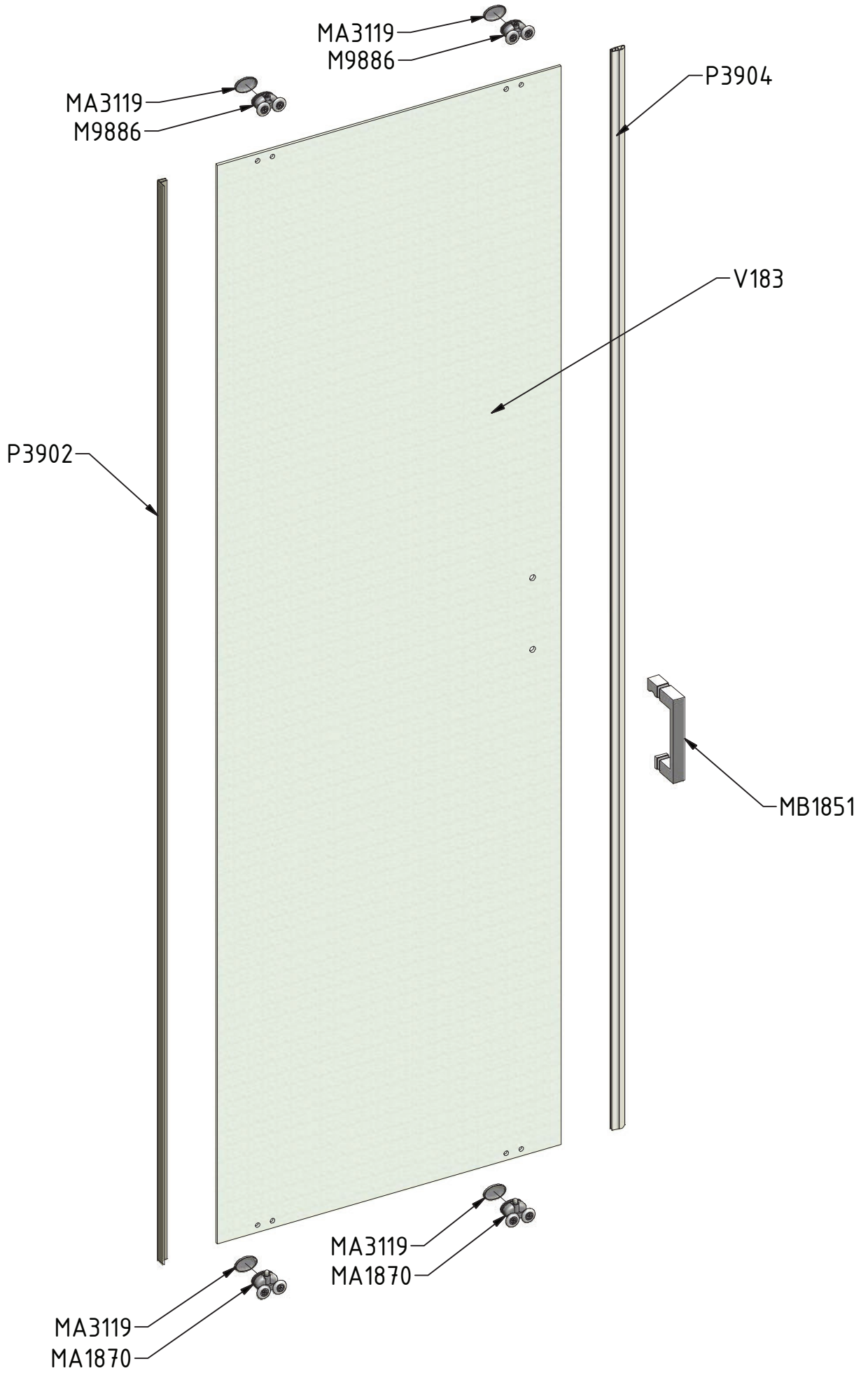
20. 2x (M9886)



21. 2x (MA1870)







V182	1200	Brillant+transparent	ND03-0674
	1400		ND03-0675
	1500;1600		ND03-0676

V183	1200	Transparent	ND02-0754
	1400		ND02-0755
	1500;1600		ND02-0756

P168	1000	brillant	P3333
	1200		P3335
	1400		P3337
	1500		P3900
	1600		P3339

P169	1000	brillant	P3334
	1200		P3336
	1400		P3338
	1500		P3901
	1600		P3340