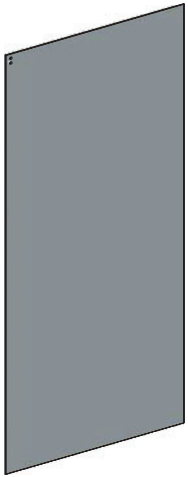
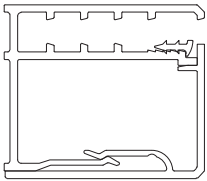


# MI FX2 VPE / NPE

POS.	PREVIEW	PCS	SPARE PART
1.		1	V329
2.		1	P7066 (VPE) P7067 (NPE)
3.	ACCESSORIES	1	S51




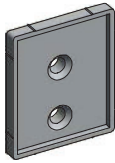



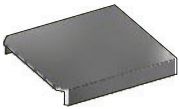

## 1. V329

SIZE	GLASS	SPARE PART
750	clear glass	ND03-1017-02
800	clear glass	ND03-1018-02
900	clear glass	ND03-1019-02
1000	clear glass	ND03-1020-02
1100	clear glass	ND03-1021-02
1200	clear glass	ND03-1022-02

## 3. S51

VARIANT	black	brillant
FX2	P7064	P6773

# 3. S51

POS.		PREVIEW
3.1	3x	
3.2	3x	
3.3	3x ST3,5	
3.4	1x	
3.5	1x	
3.6	2x	
3.7	2x	
3.8	1x	
3.9	1x	

# MI FX2

