

Sanitary Systems

Roth Cariba CI BAF


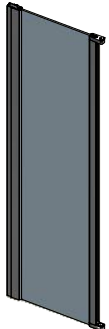
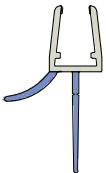
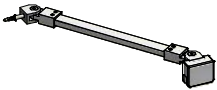
Roth

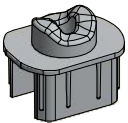
Assembling Instruction
Montageanleitung
Notice de montage
Montážní návod





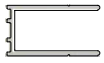
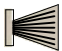

Shower for life

CI BAF

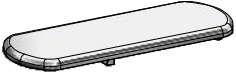
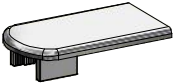
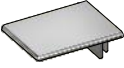









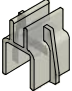
POS.	PREVIEW	PCS	SPARE PART
1.		1	ND02-0974-00-02 (VPE) ND02-0974-05-02 (NPE)
2.		1	ND03-0971-00-02 (VPE) FIX ND03-0971-05-02 (NPE)
3.		1	P6122
4.		1	MB0230 (VPE) MB2388 (NPE)
5.	ACCESSORIES	1	P6319 (VPE) P6990 (NPE)

POS.	PREVIEW	PCS	SPARE PART
1.1		2	MA9747 (VPE) MB2419 (NPE)

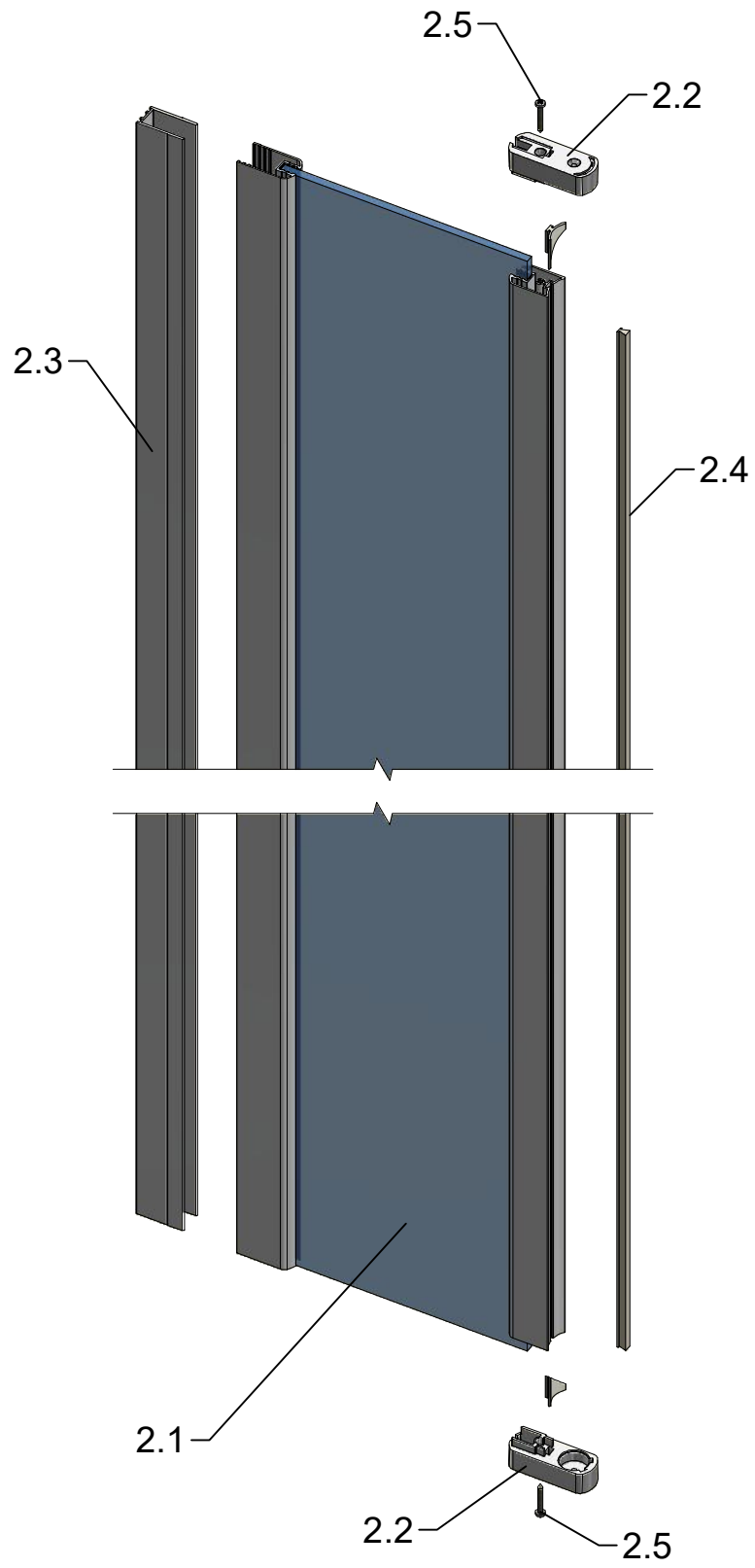
2. FIX

POS.	PREVIEW	PCS	SPARE PART
2.1		1	ND03-0971-00-02
2.2		2	MA9742 (VPE) MB2474 (NPE)
2.3		1	P5949 (VPE) P6983 (NPE)
2.4		1	ND01-3398
2.5		2	M3372

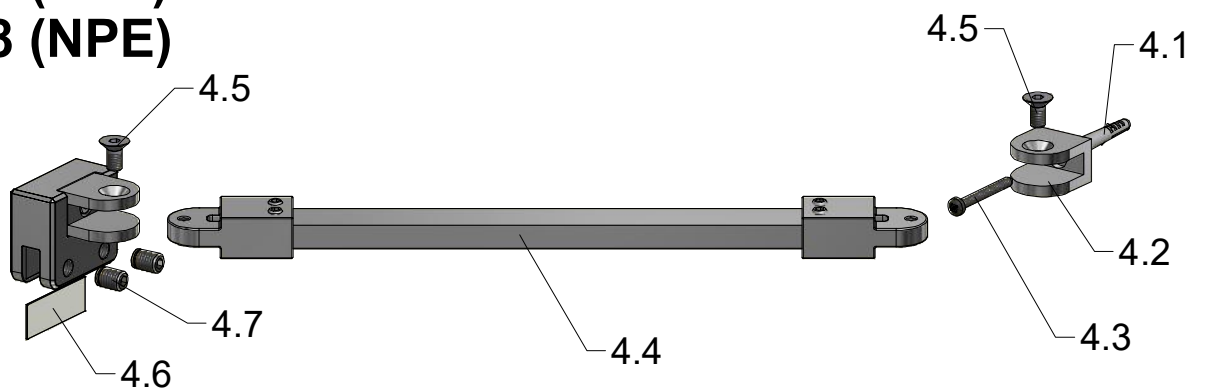
5. P6319 (VPE) P6990 (NPE)

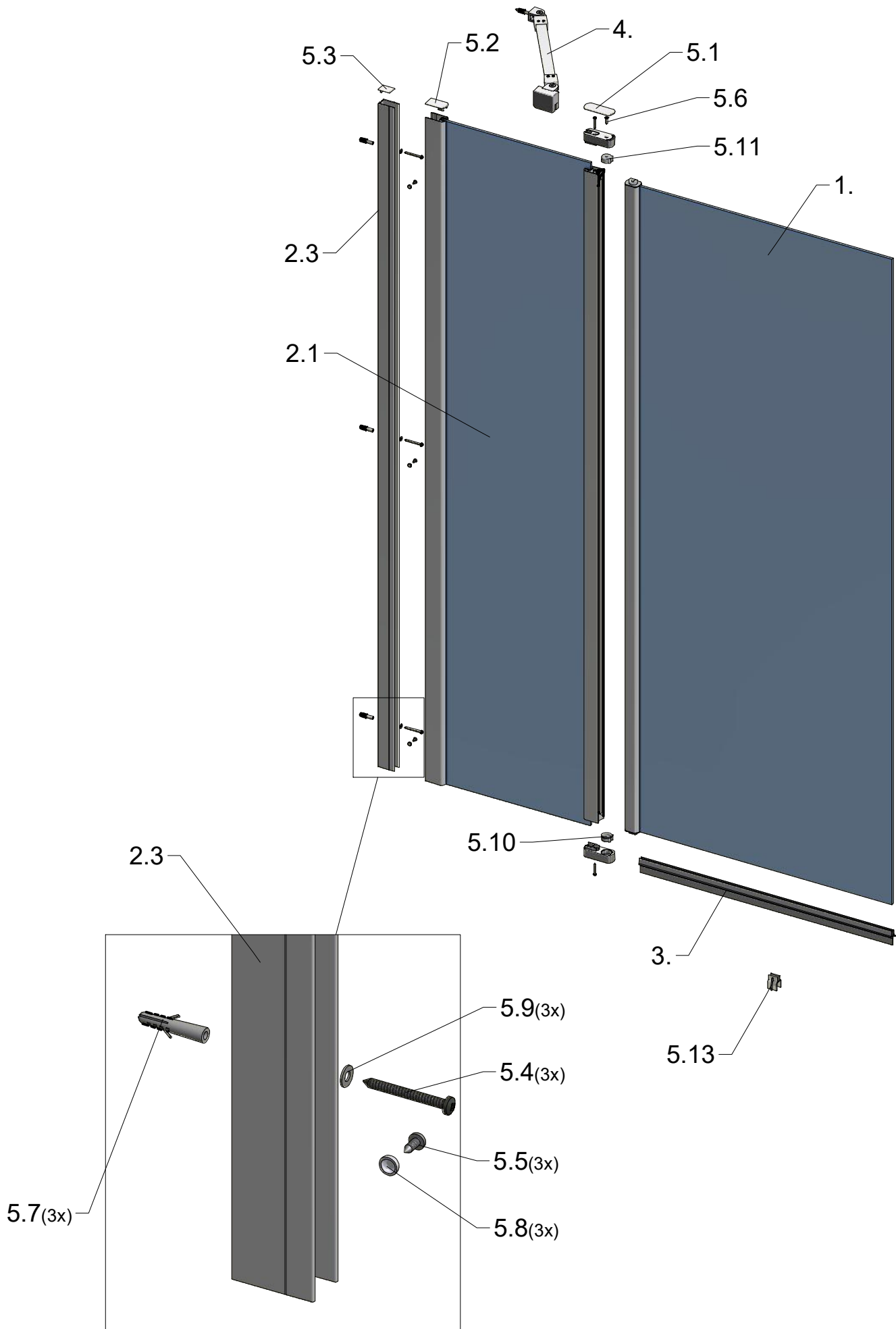
POS.	PREVIEW
5.1	
5.2	
5.3	
5.4	3x 
5.5	3x 
5.6	
5.7	3x 
5.8	3x 
5.9	3x 
5.10	
5.11	
5.12	
5.13	

2. FIX

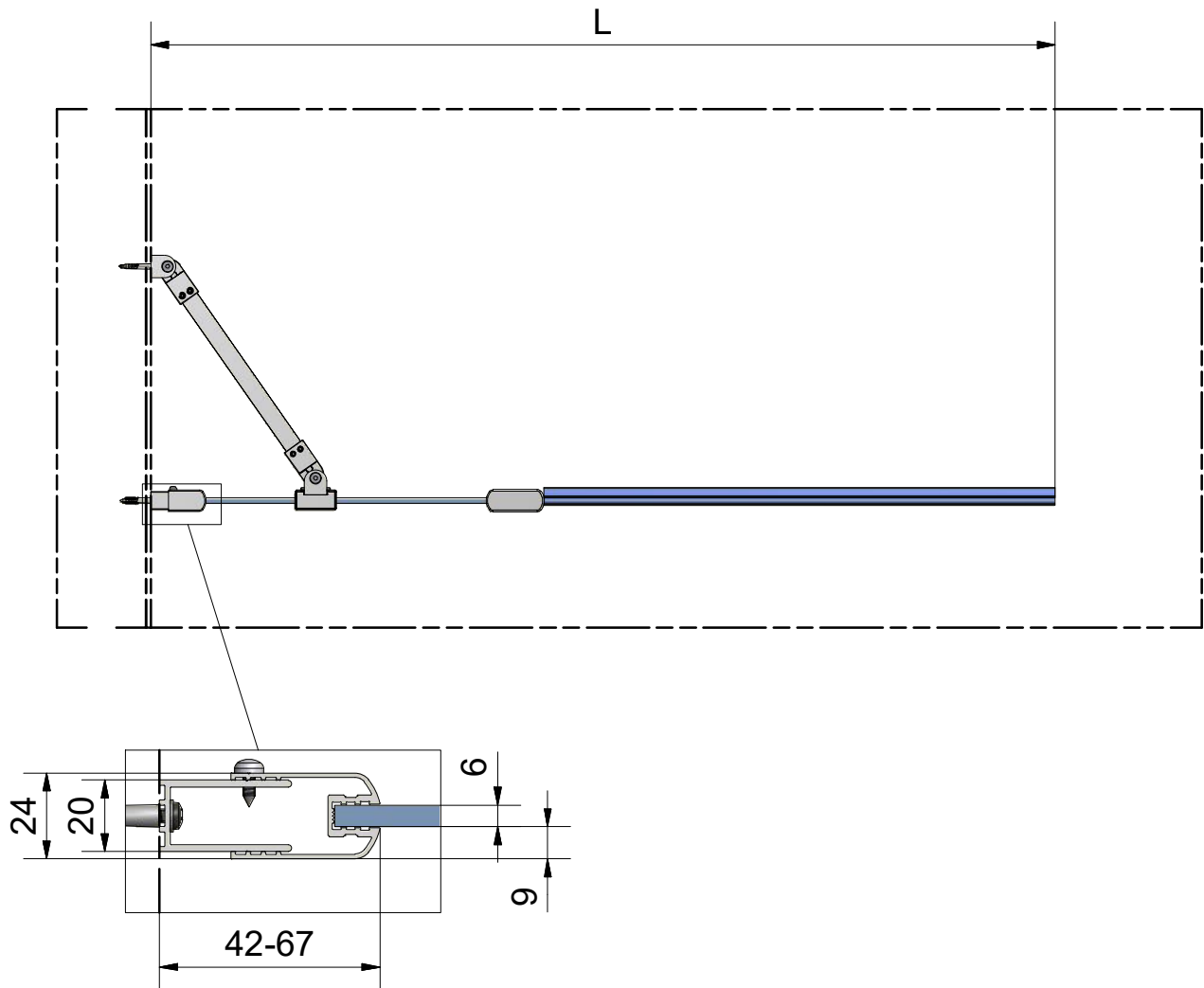


4. MB0230 (VPE) MB2388 (NPE)



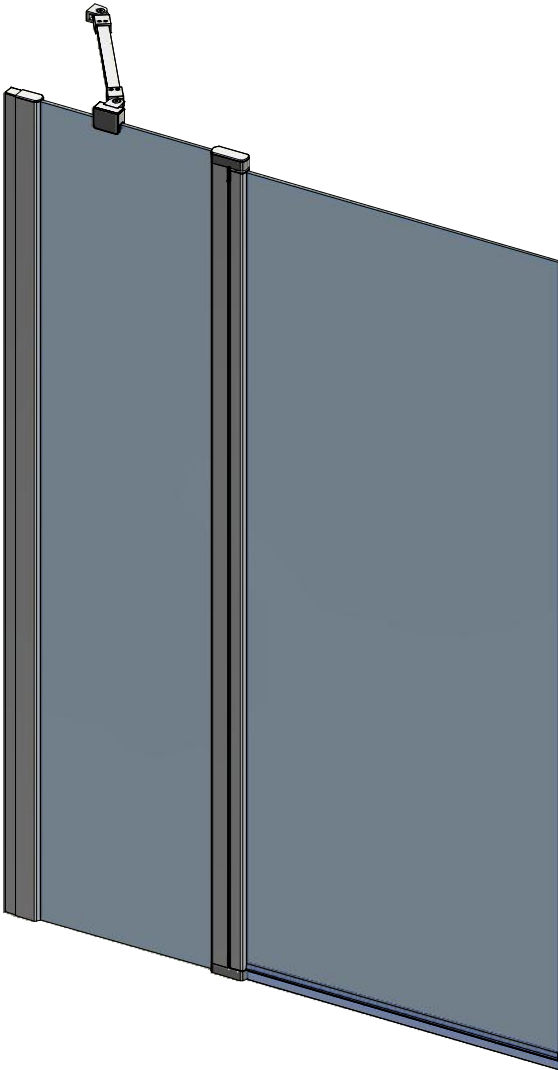


CI BAF

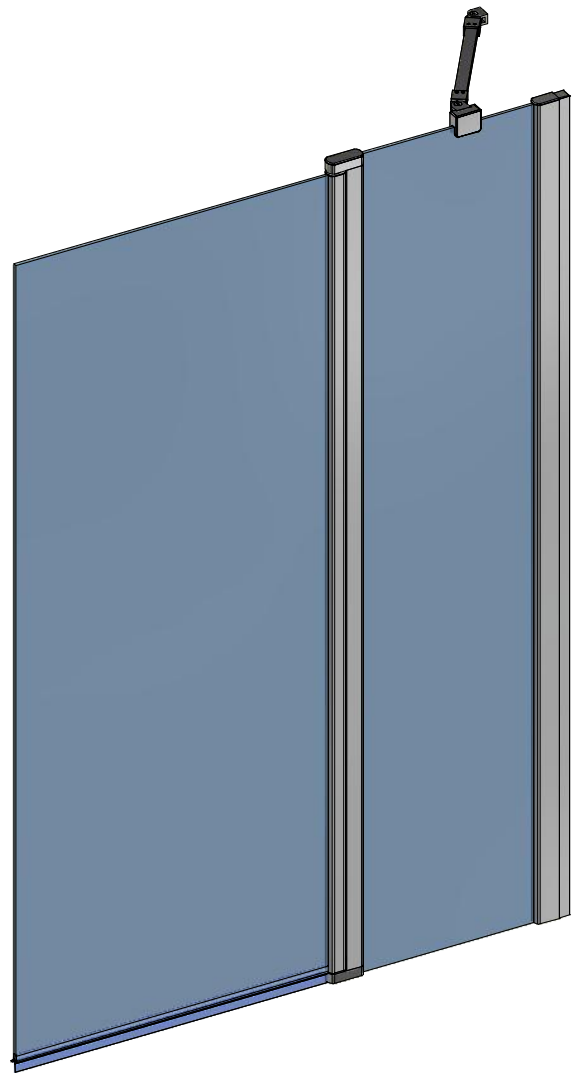


CI BAF				
ID	TYPE	L (mm)	S (mm)	C(mm)
CI BAF 110150 VPE	1100	1090-1115	420-445	570

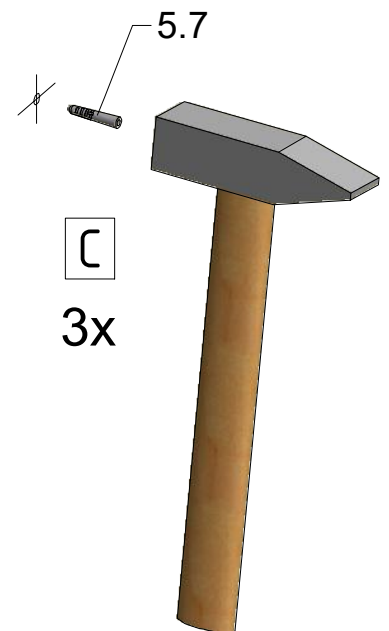
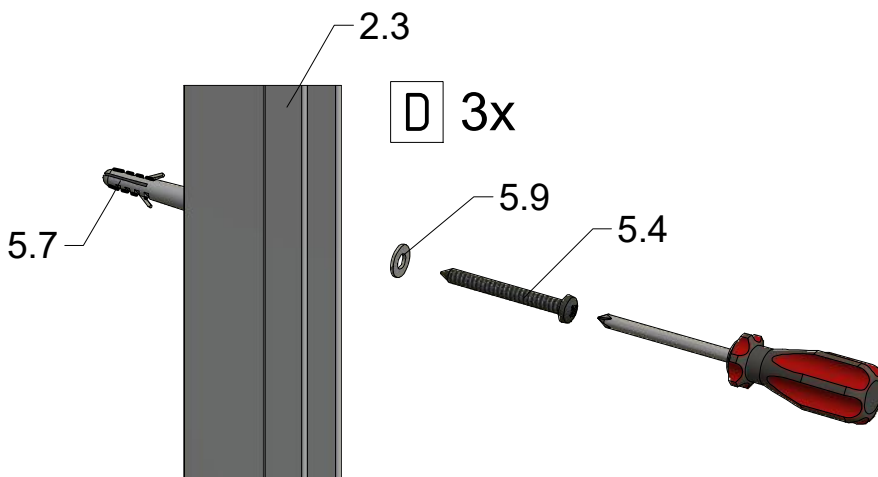
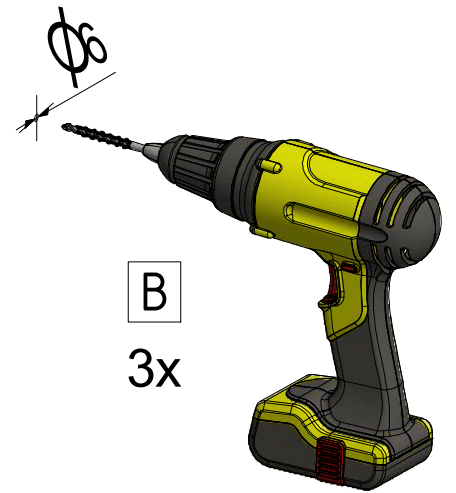
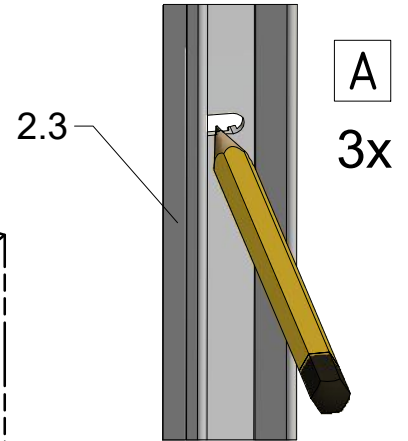
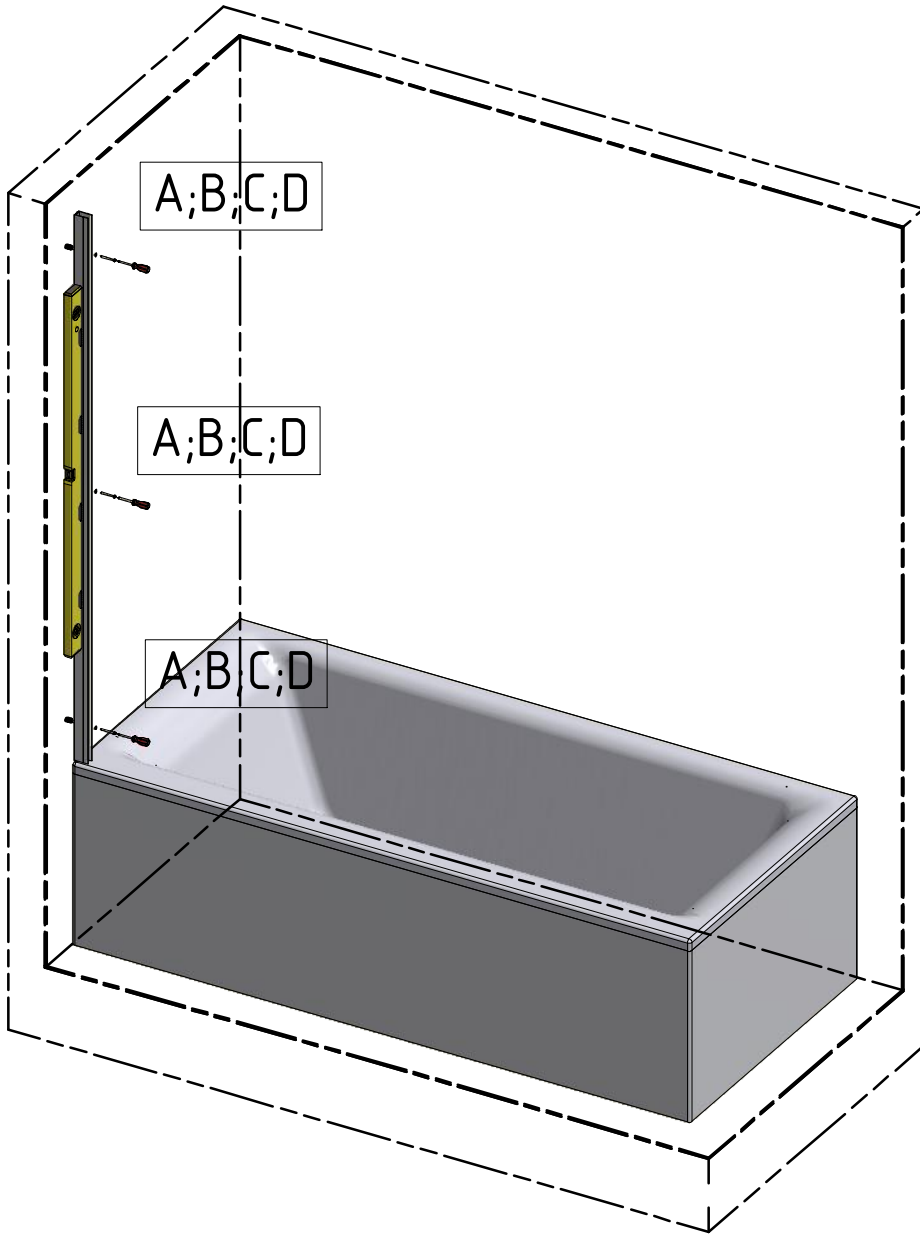
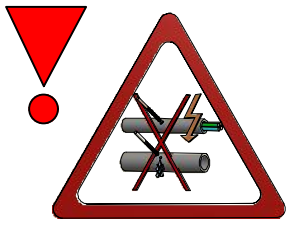
Next step in instructions is for left installation
(for right installation - proceed in a mirror image)

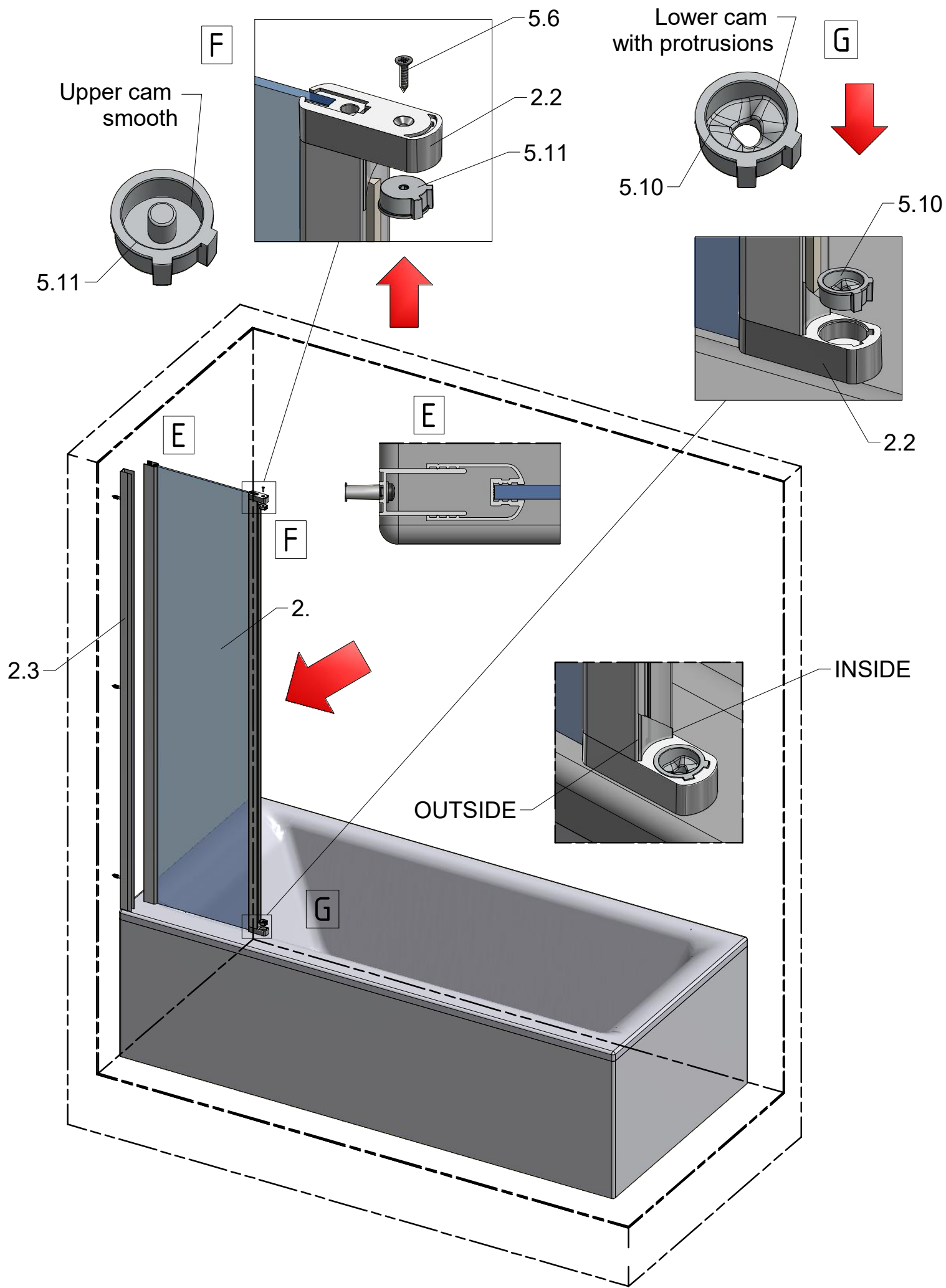


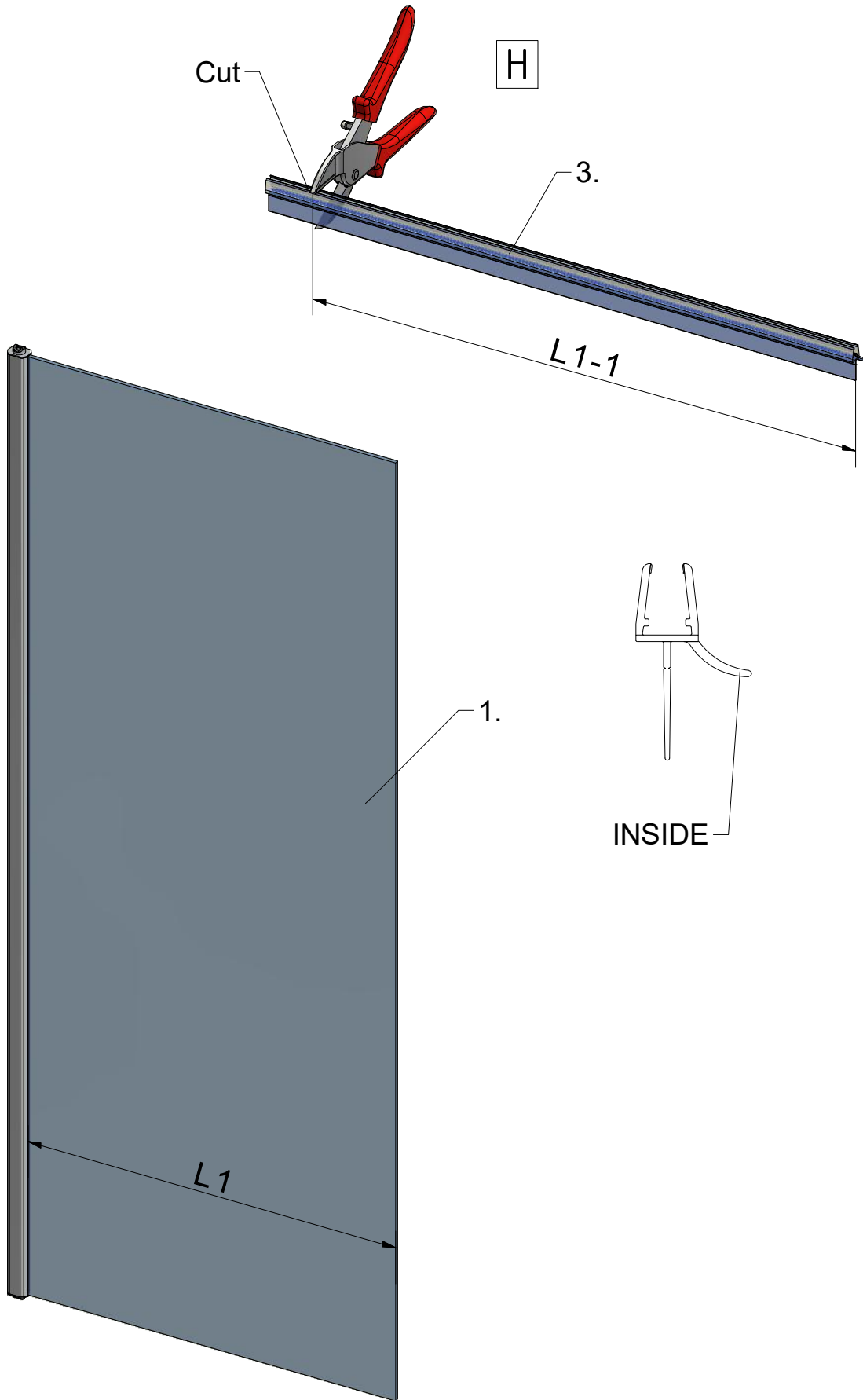
LEFT Installation

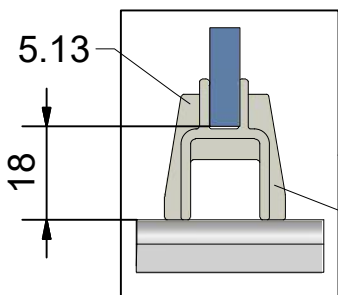
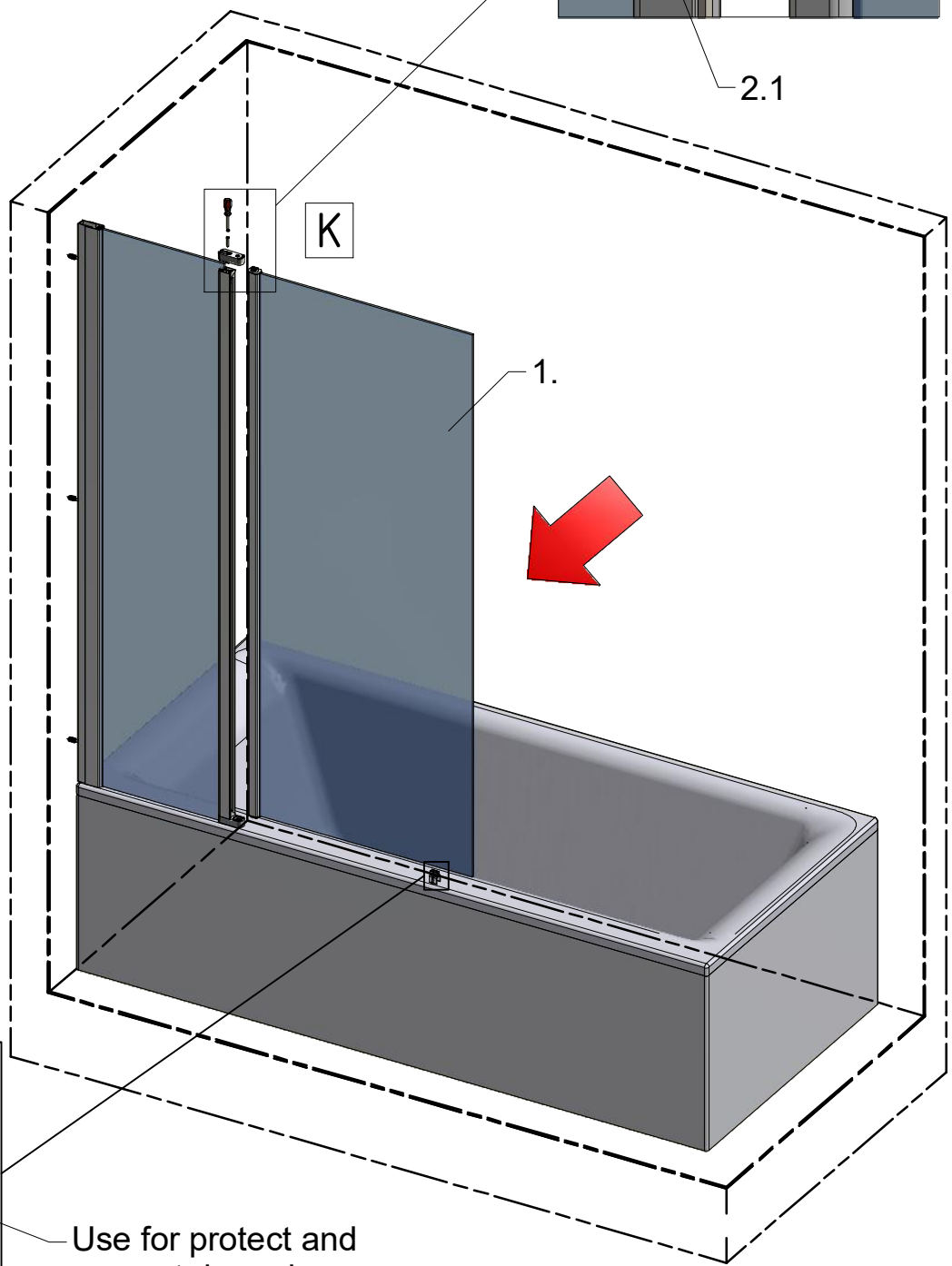
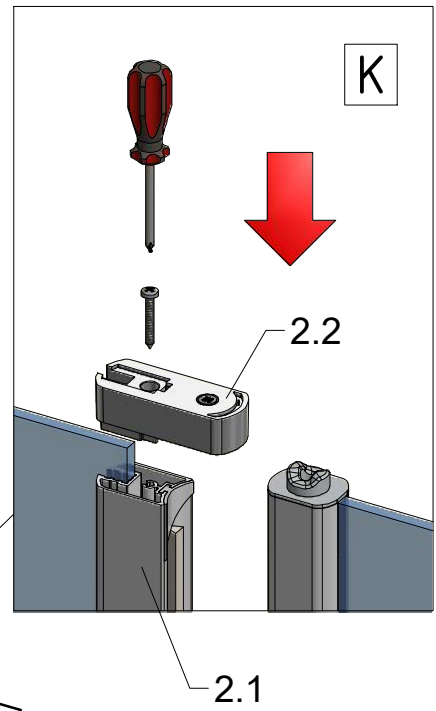
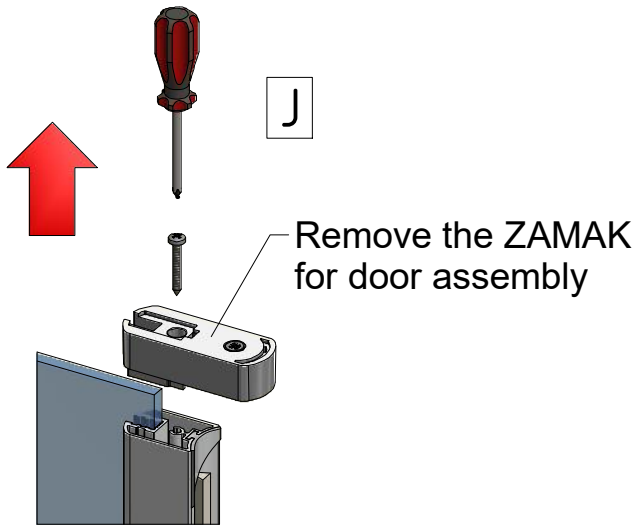


RIGHT Installation

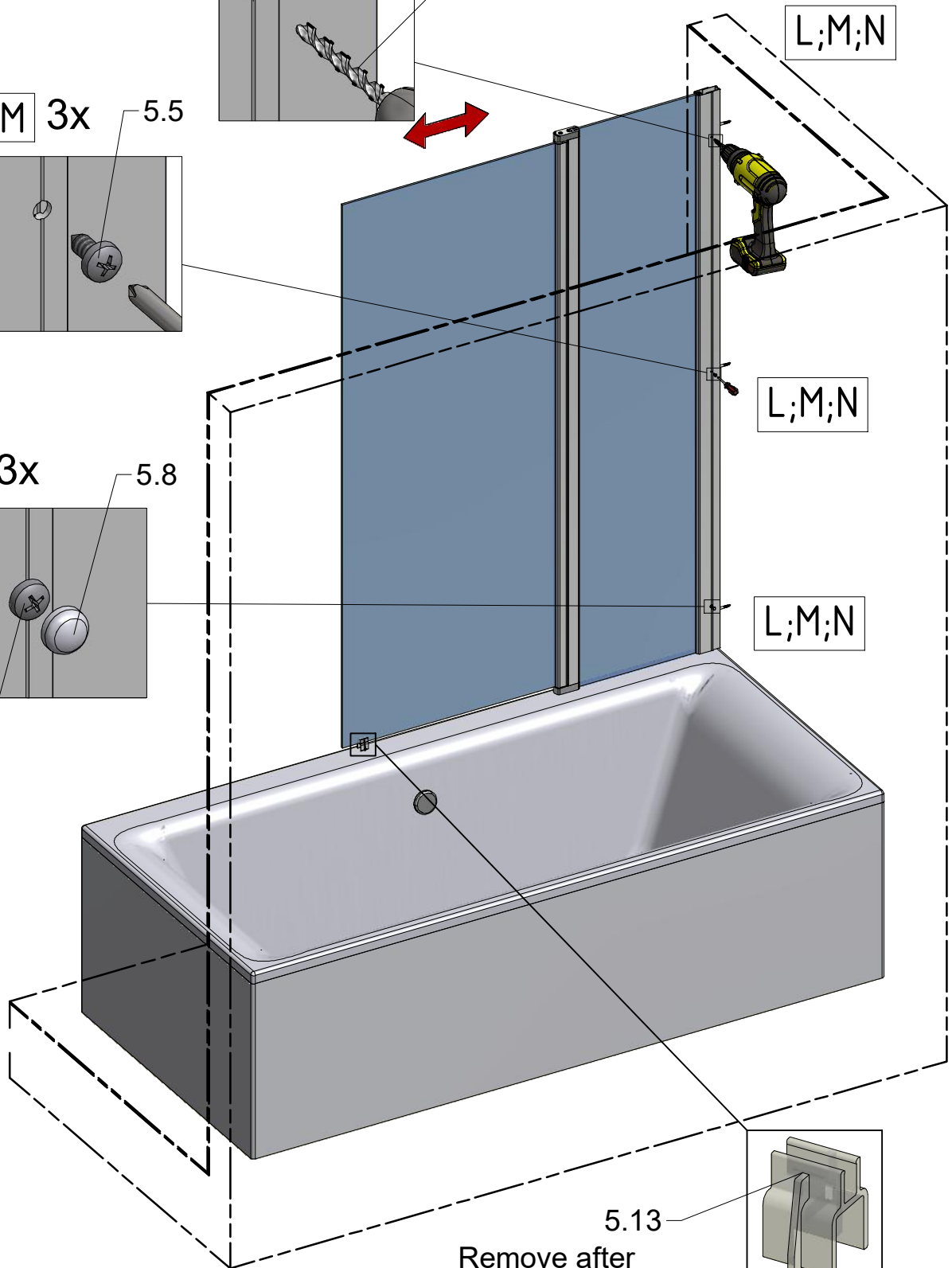
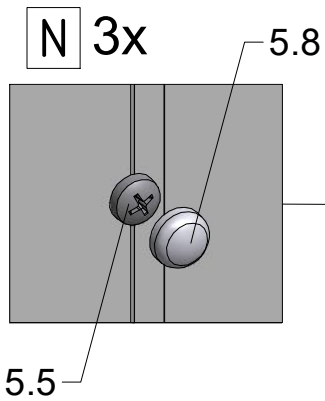
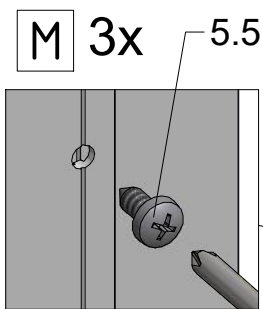
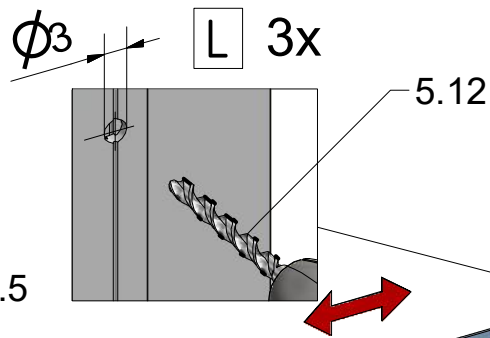
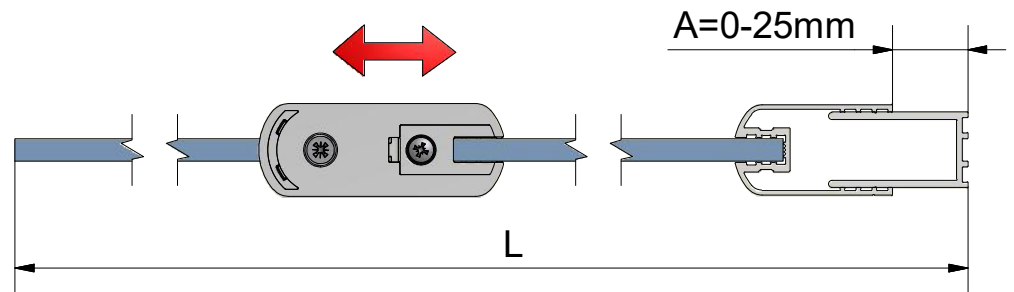




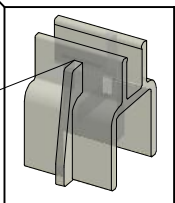


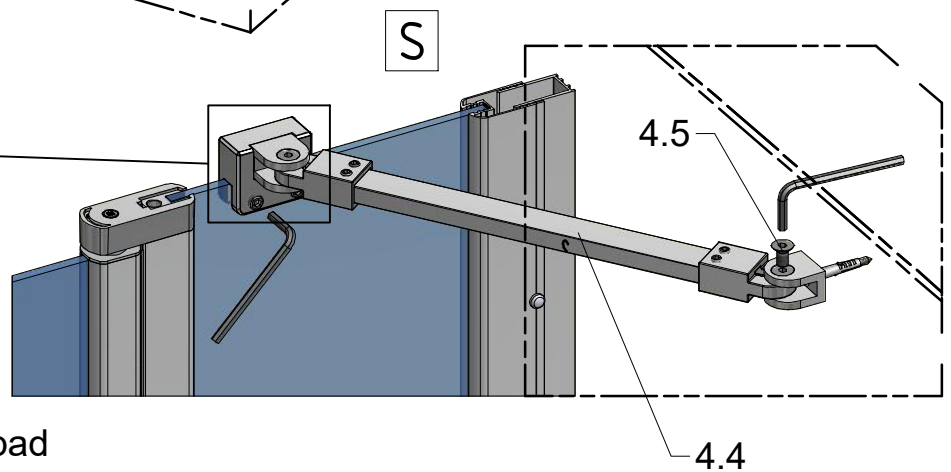
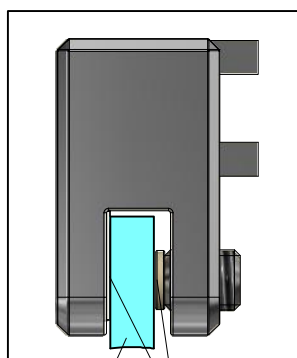
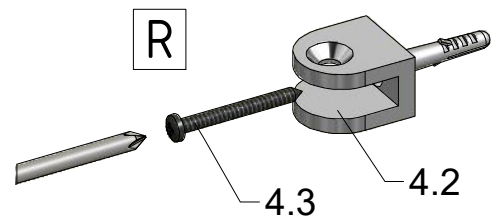
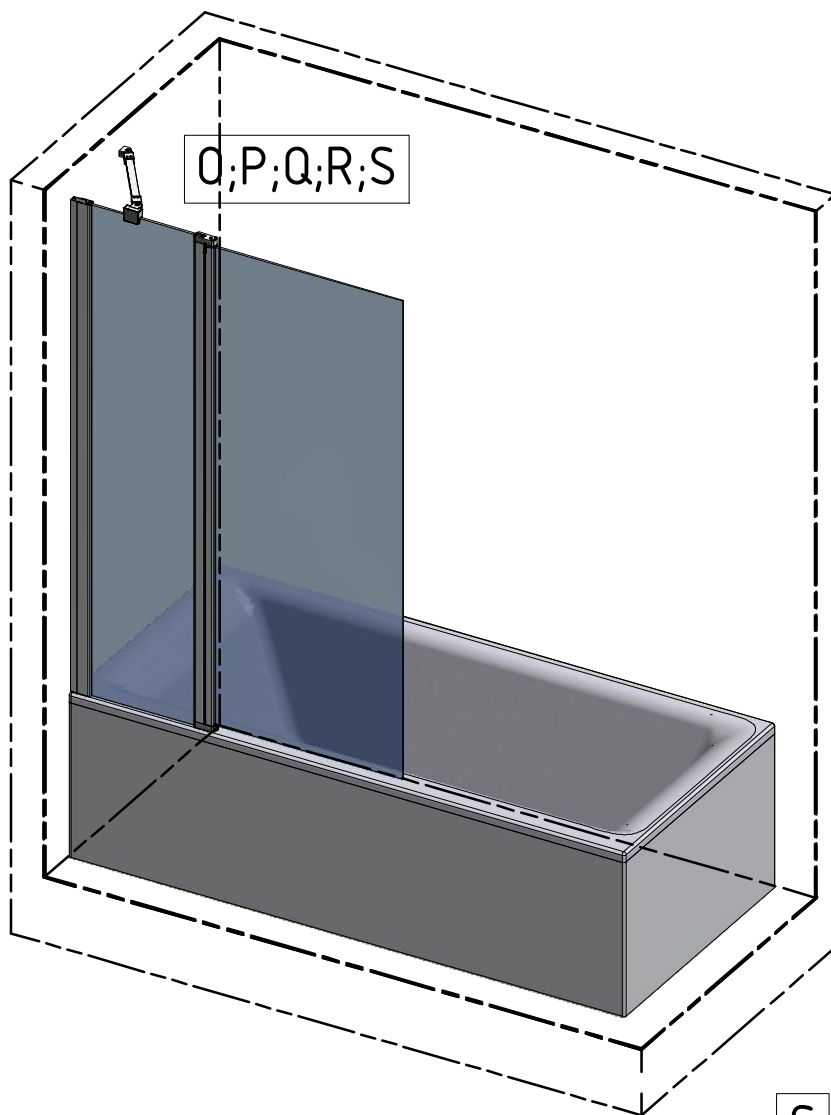
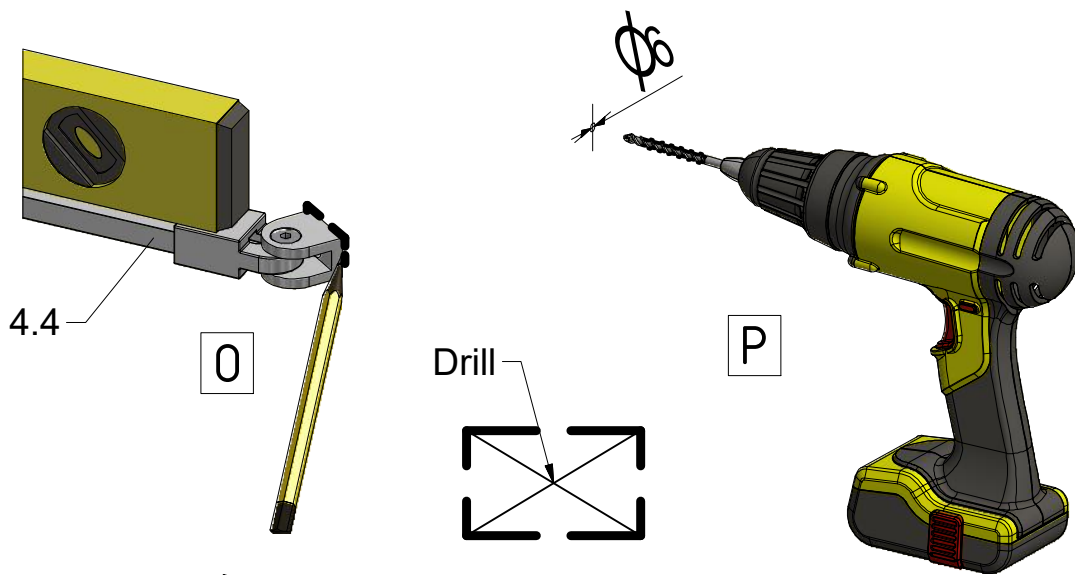


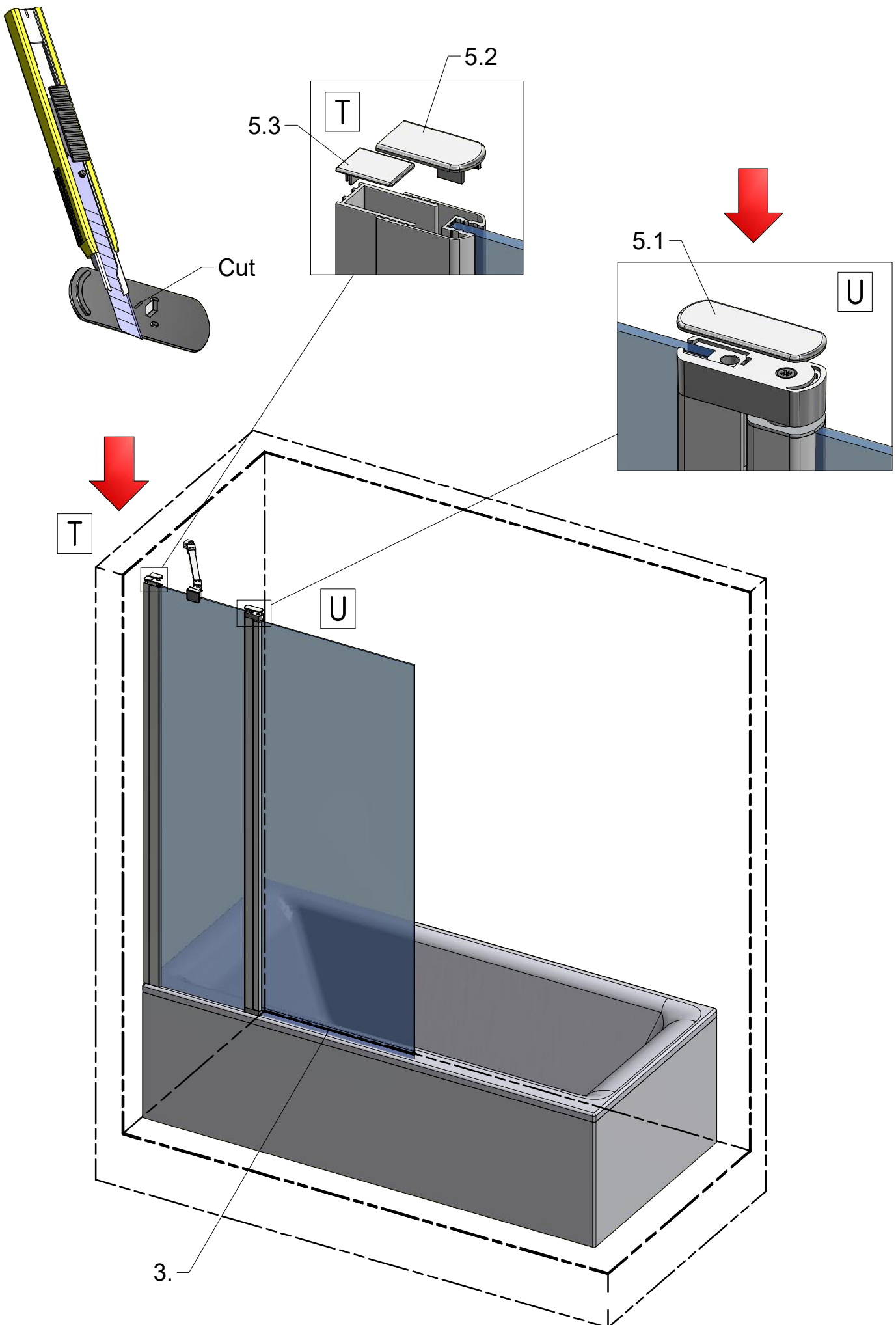
Use for protect and support door glass



5.13
Remove after
tightening the screws

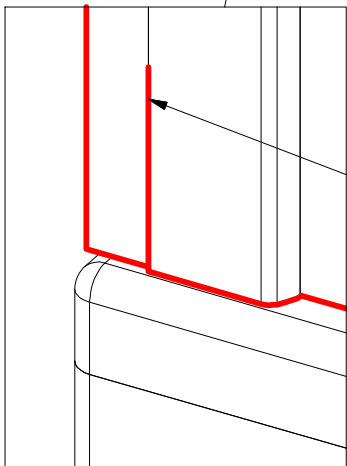
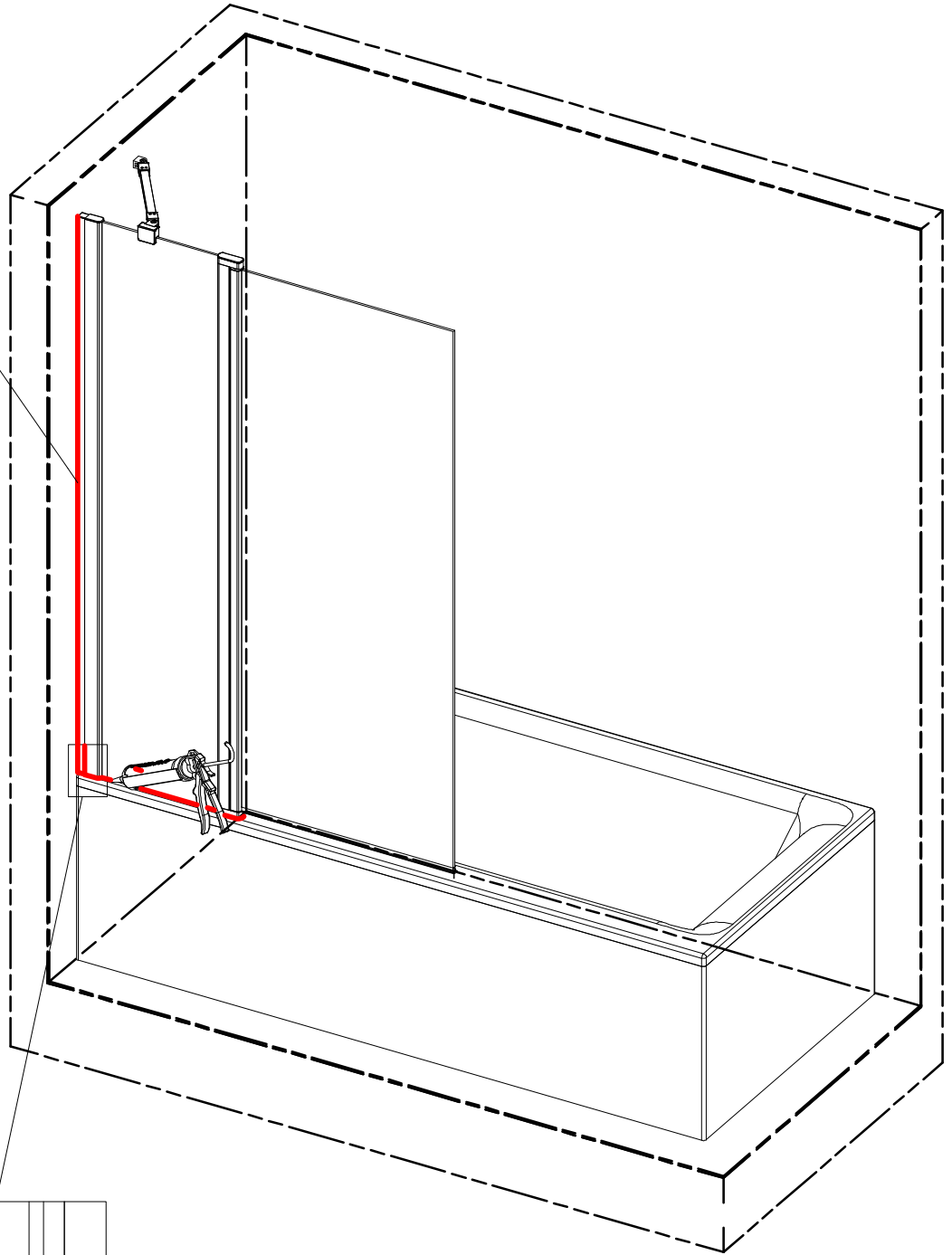




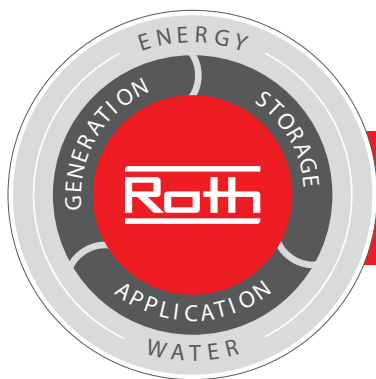




SILICONE



SILICONE
MIN 100mm



Roth Energy and Sanitary Systems

Generation

- Solar systems <
- Heat pump systems <

Storage

- Storage systems for
Domestic & heating water <
- Combustibles and biofuels <
- Rainwater and waste water <

Application

- > Radiant heating
and cooling systems
- > Pipe installation systems
- > Shower system

Roth

■ Deutschland

ROTH WERKE GMBH
Am Seerain 2
35232 Dautphetal
Telefon: 06466/922-0
Telefax: 06466/922-100
E-Mail: service@roth-werke.de
www.roth-werke.de

■ Czech Republic

Roth Czech s.r.o.
Třebořov 160
569 33 Třebořov
Tel.: +420 461 353 611
E-Mail: objednavky@roth-czech.cz
www.roth-czech.cz

■ France

ROTH FRANCE
CS 20090
78, rue Ampère - ZI
77465 Lagny sur Marne Cedex
Tél.: +420 461 353 611
www.roth-france.fr