

Sanitary Systems

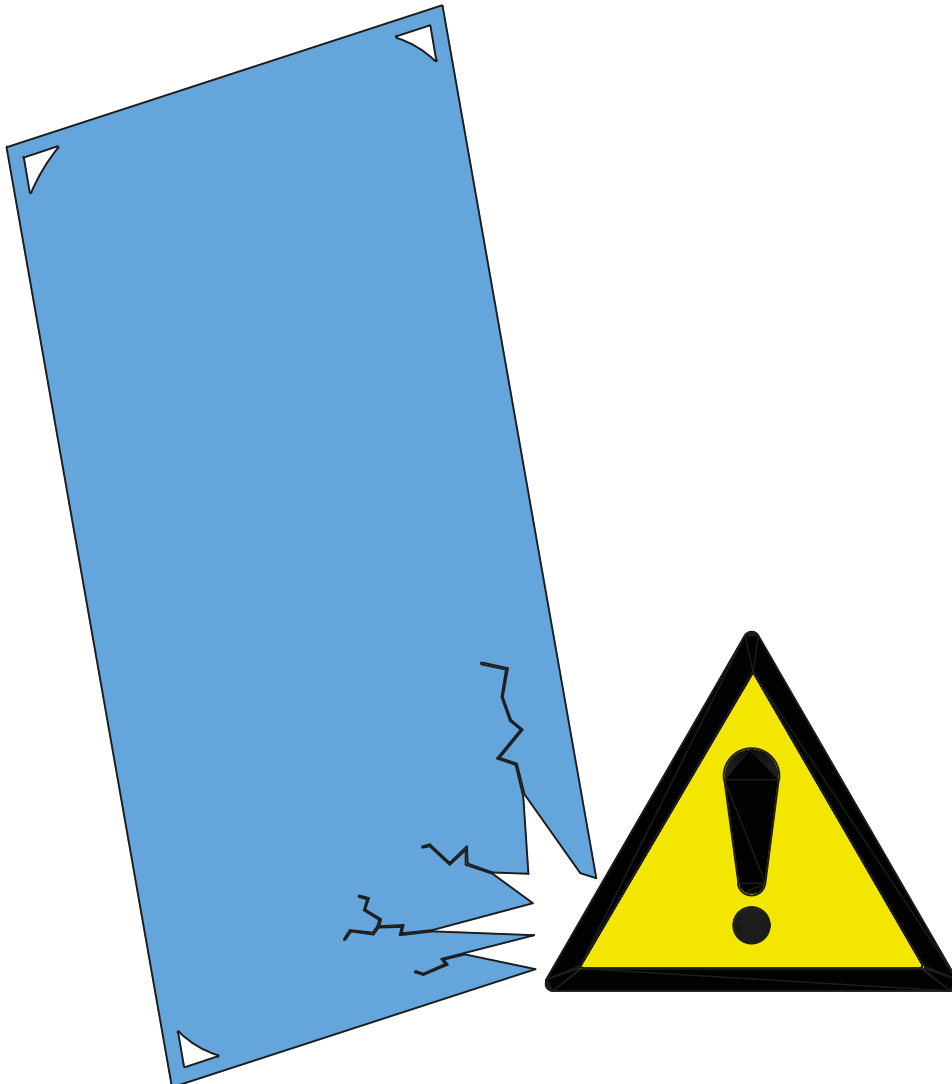
Roth Melina MI D2L/R

Roth

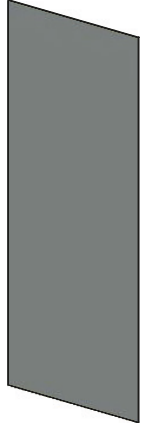

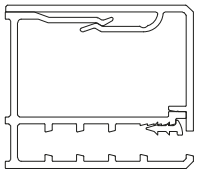
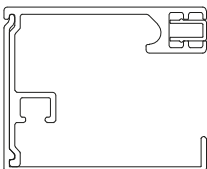
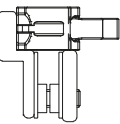
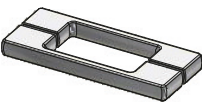
Assembling Instruction
Montageanleitung
Notice de montage
Montážní návod

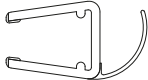
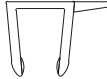







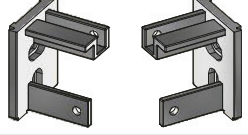

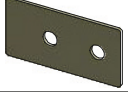







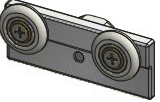
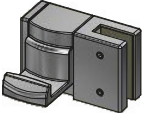


Shower for life





MI D2L/R VPE / NPE			
POS.	PREVIEW	PCS	SPARE PART
1.		1	V327
2.		1	V328
3.		1	P7148 (VPE) P7149 (NPE)
4.		1	P337
5.		1	P7147
6.	SEALS	1	P7146 (VPE) P7172 (NPE)
7.		1	MB3188(VPE) MB3187 (NPE)
8.	ACCESSORIES	1	S50

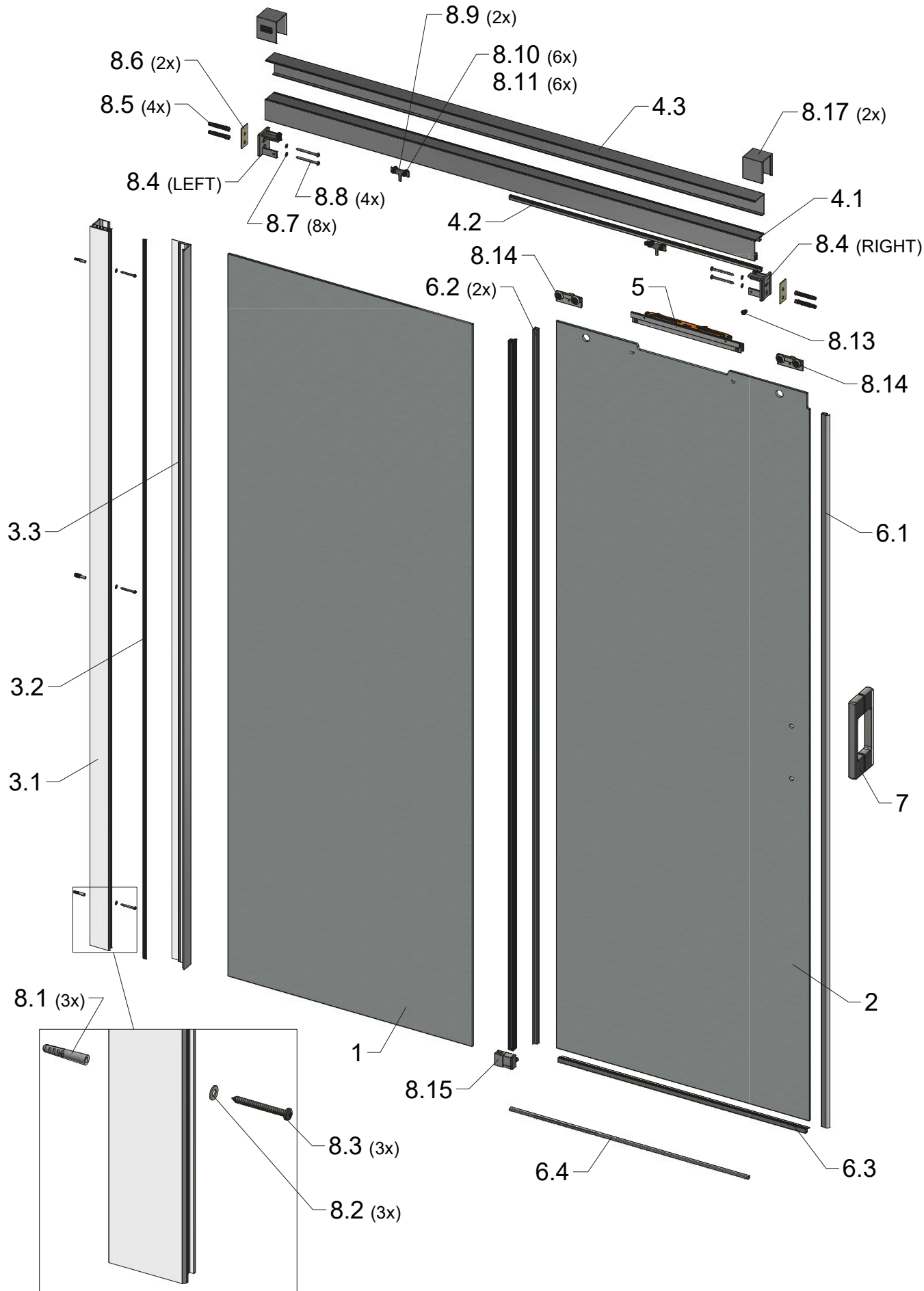
6. SEALS			
POS.	PREVIEW	PCS	SPARE PART
6.1		1	MB3310
6.2		2	MB3312
6.3		1	P6121
6.4		1	P6133 (VPE) P6809 (NPE)

8. S50			
POS.	PREVIEW		
8.1	3x		
8.2	3x		
8.3	3x ST3,5		
8.4	Left + right		
8.5	4x		
8.6	2x		
8.7	8x		
8.8	4x ST 4,8		
8.9	2x		
8.10	6x		
8.11	6x		
8.12	1x		
8.13	1x		
8.14	2x		
8.15	1x (left or right variant)		
8.16	1x		
8.17	2x		

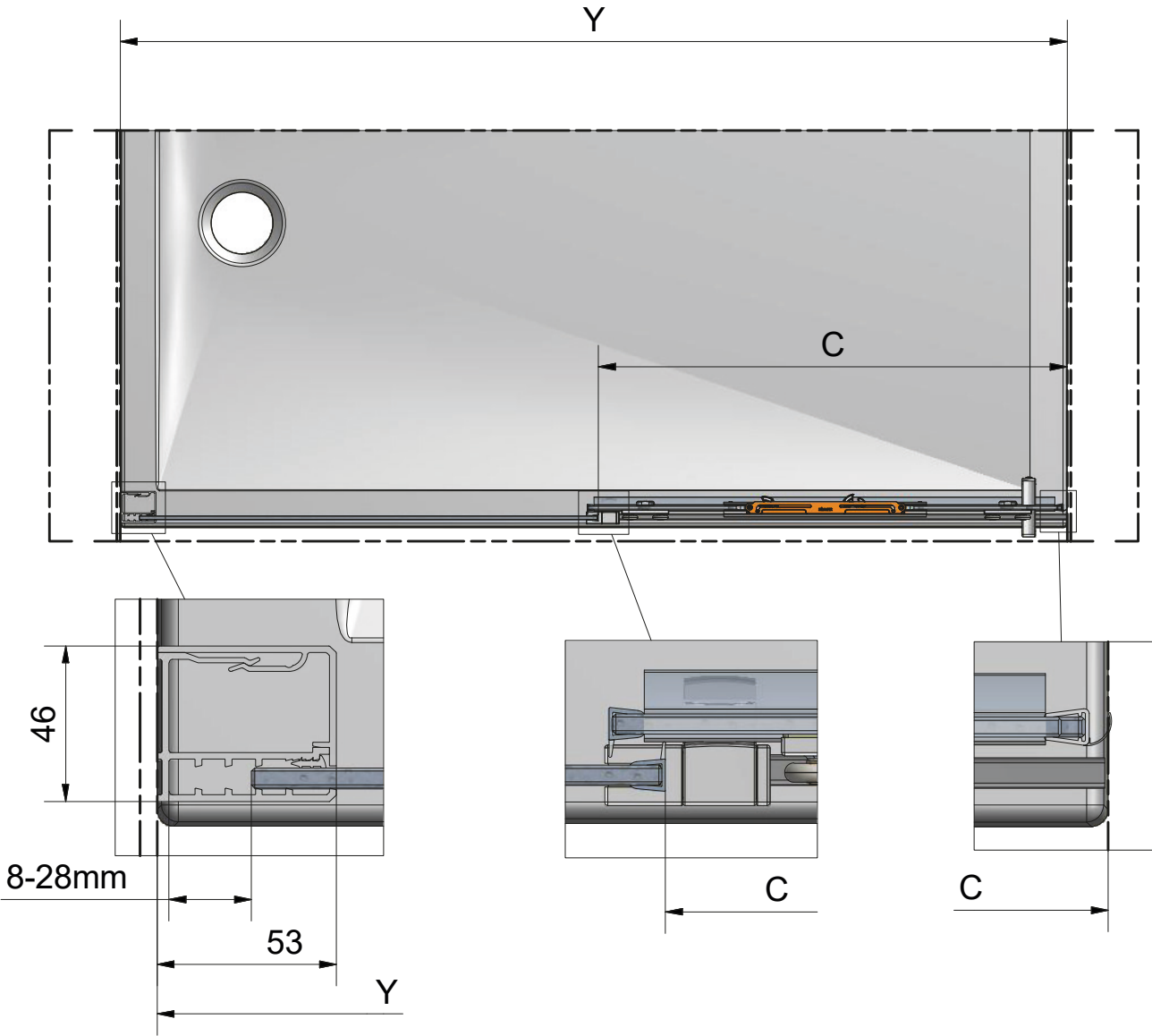
1. V327			2. V328		
SIZE	GLASS	SPARE PART	SIZE	GLASS	SPARE PART
1000	clear glass	ND03-1008-02	1000	clear glass	ND02-0990-02
1100	clear glass	ND03-1009-02	1100	clear glass	ND02-0991-02
1200	clear glass	ND03-1010-02	1200	clear glass	ND02-0992-02
1300	clear glass	ND03-1011-02	1300	clear glass	ND02-0993-02
1400	clear glass	ND03-1012-02	1400	clear glass	ND02-0994-02
1500	clear glass	ND03-1013-02	1500	clear glass	ND02-0995-02
1600	clear glass	ND03-1014-02	1600	clear glass	ND02-0996-02
1700	clear glass	ND03-1015-02	1700	clear glass	ND02-0997-02
1800	clear glass	ND03-1016-02	1800	clear glass	ND02-0998-02

4. P337			9. S50		
SIZE	black	brillant	VARIANT	black	brillant
1000	P7163	P7137	D2R	P7176	P7174
1100	P7164	P7138	D2L	P7175	P7173
1200	P7165	P7139			
1300	P7166	P7140			
1400	P7167	P7141			
1500	P7168	P7142			
1600	P7169	P7143			
1700	P7170	P7144			
1800	P7171	P7145			

MI D2L / MI D2R

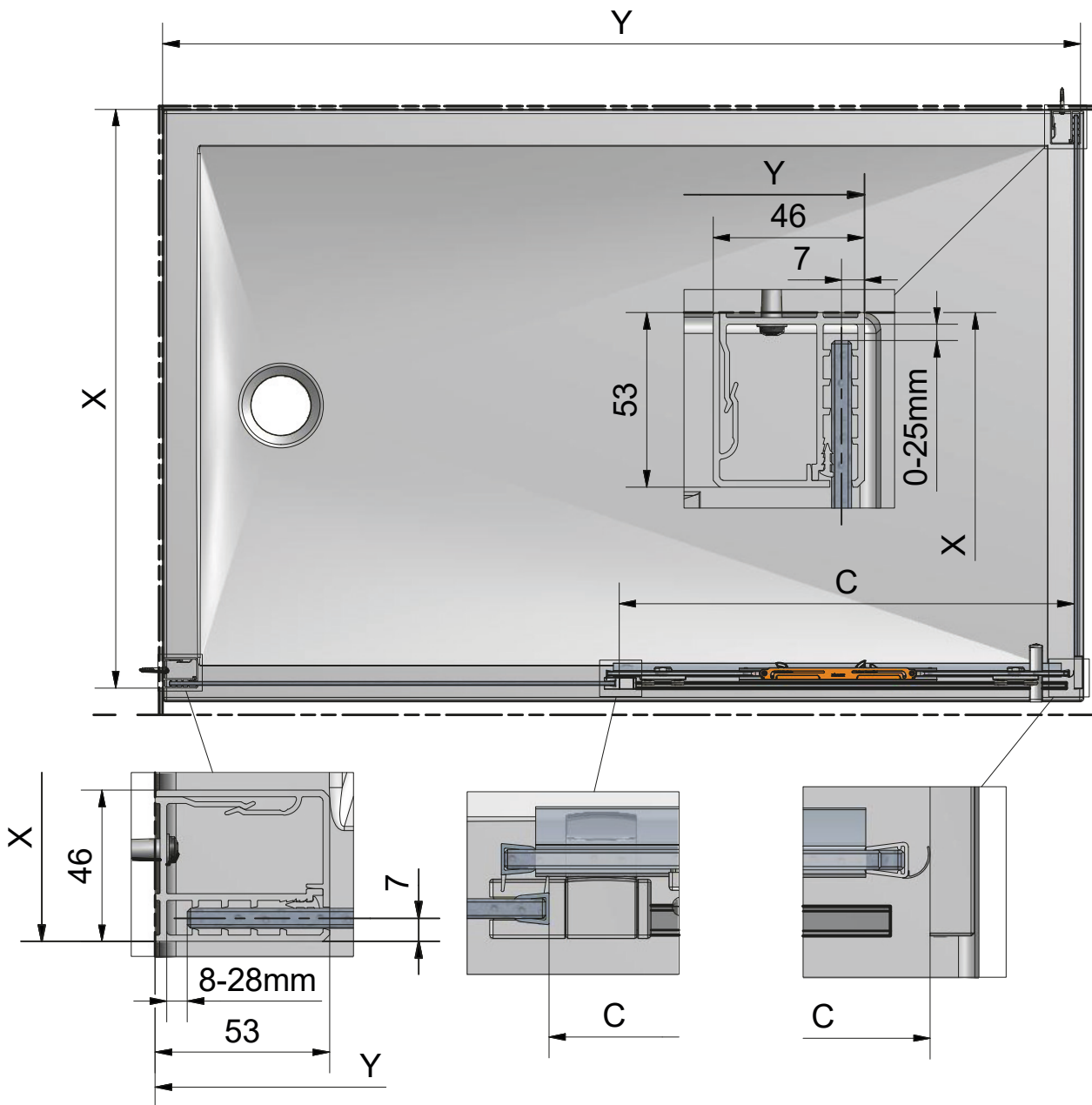


MI D2L / MI D2R



MI D2L/MI D2R		
TYPE	C (mm)	Y (mm)
1000	400	970-1010
1100	450	1070-1110
1200	500	1170-1210
1300	550	1270-1310
1400	600	1370-1410
1500	650	1470-1510
1600	700	1570-1610
1700	750	1670-1710
1800	800	1770-1810

MI D2L / MI D2R + MI FX2



MI D2L/MI D2R		
TYPE	C (mm)	Y (mm)
1000	400	980-1020
1100	450	1080-1120
1200	500	1180-1220
1300	550	1280-1320
1400	600	1380-1420
1500	650	1480-1520
1600	700	1580-1620
1700	750	1680-1720
1800	800	1780-1820

MI FX2	
TYPE	X (mm)
750	725-750
800	775-800
900	875-900
1000	975-1000
1100	1075-1100
1200	1175-1200

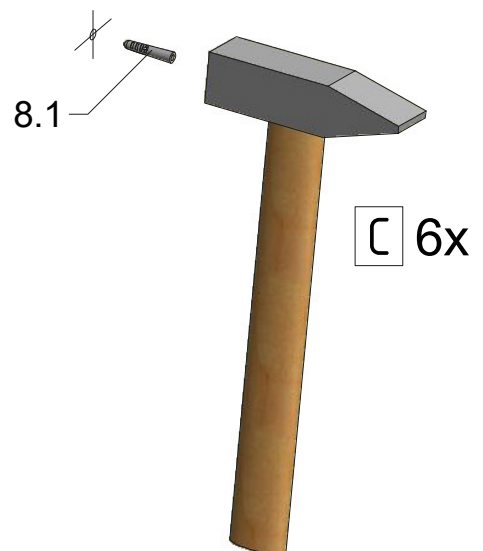
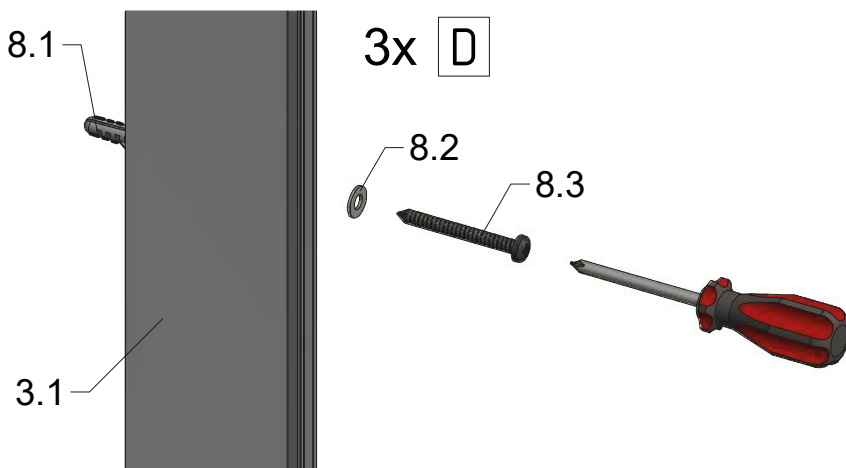
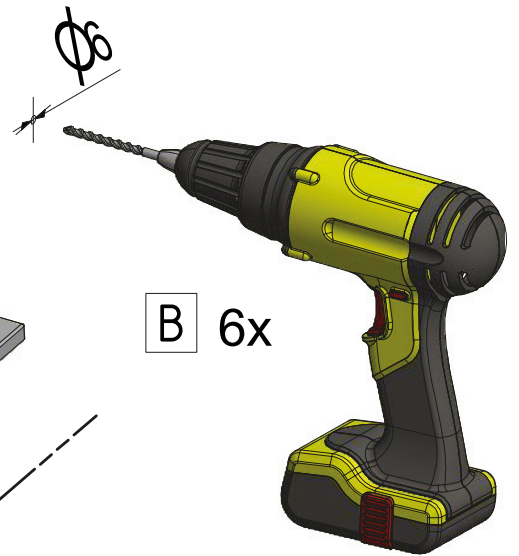
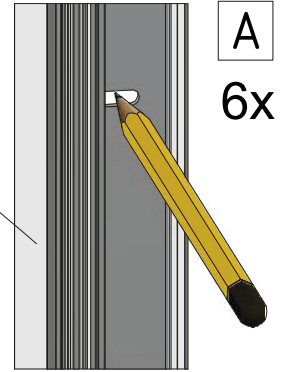
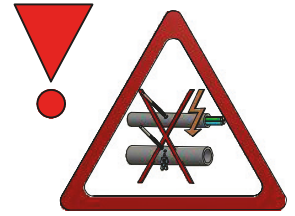
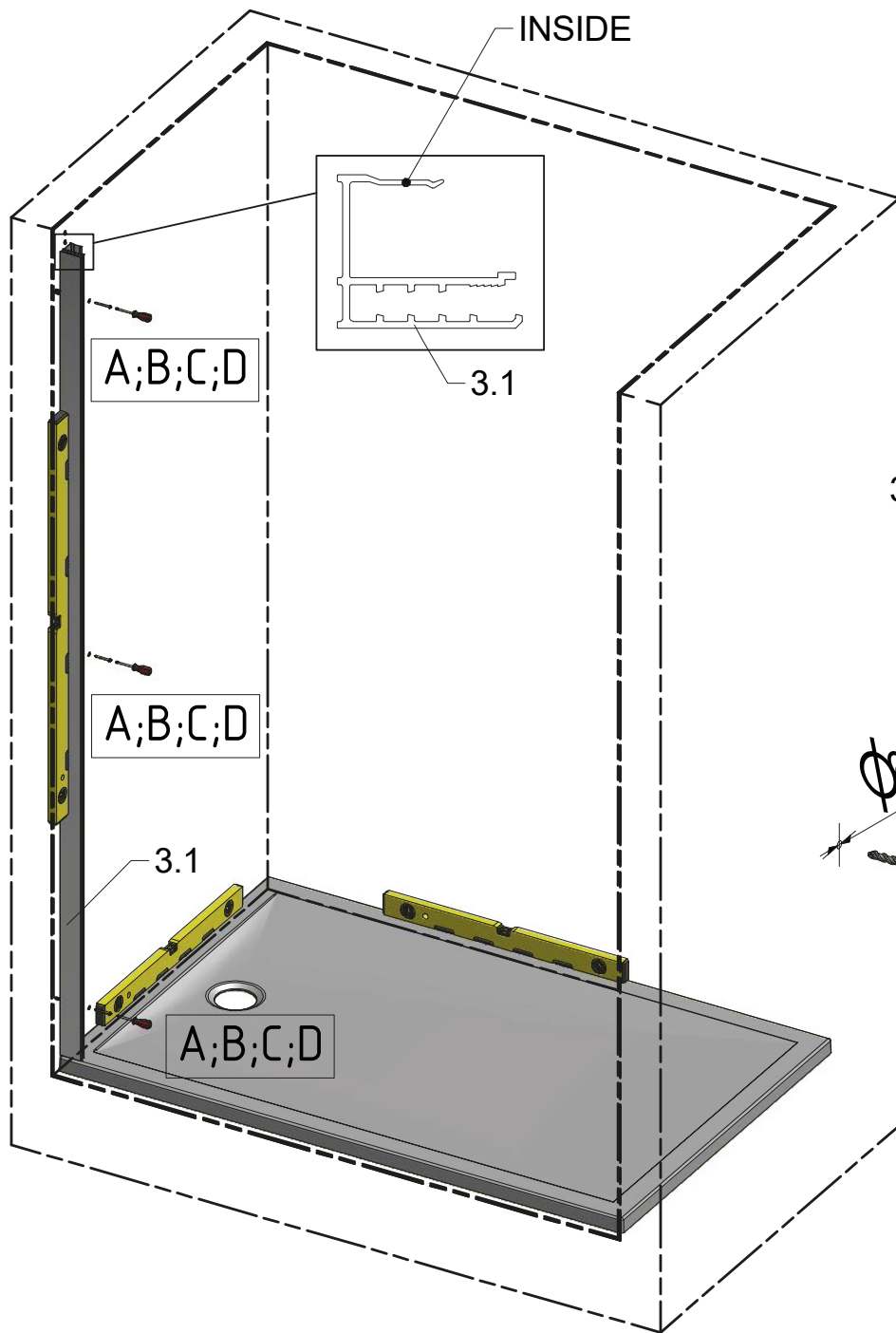
Next step in instructions is for left installation
(for right installation - proceed in a mirror image)



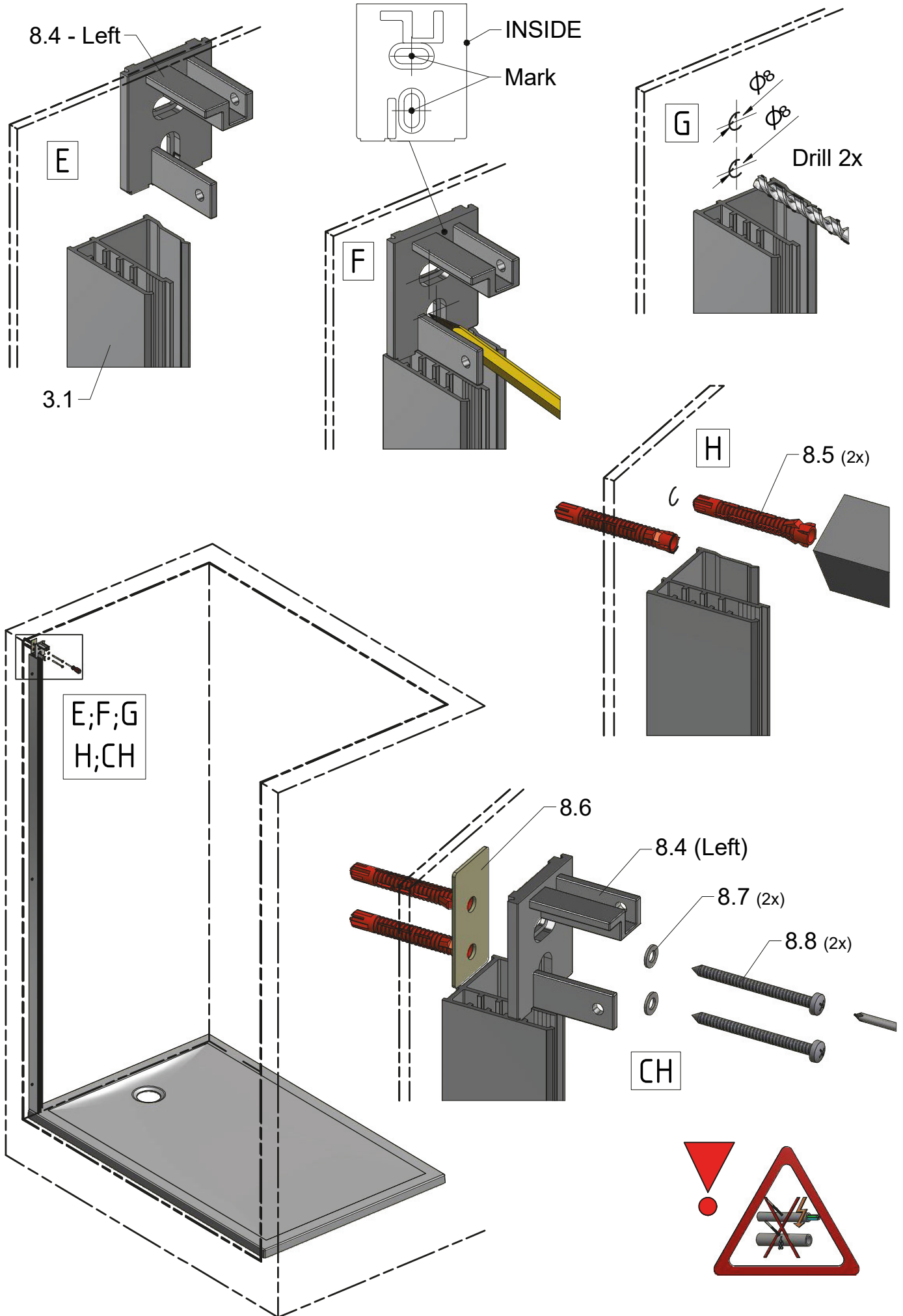
LEFT Installation

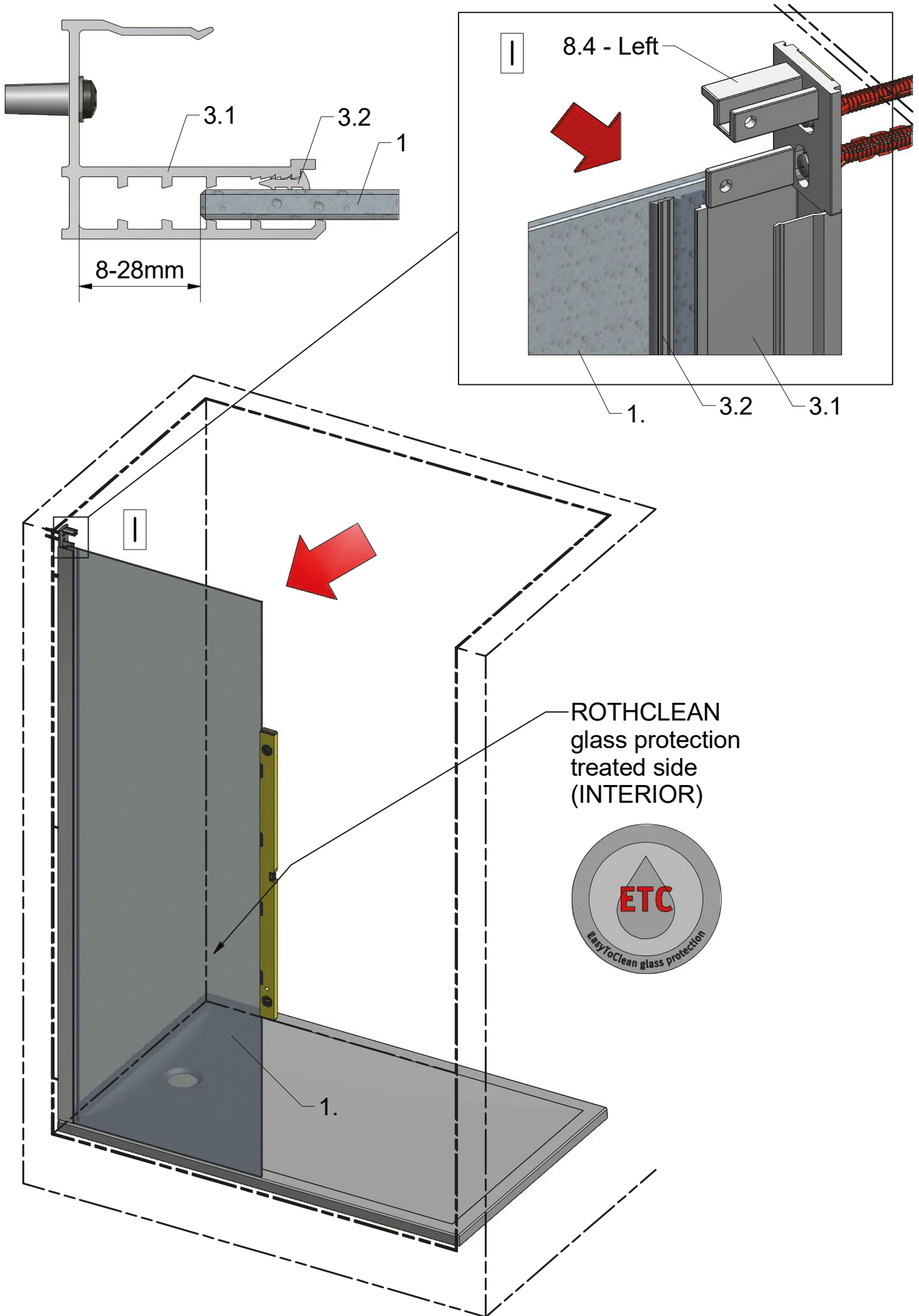


RIGHT Installation

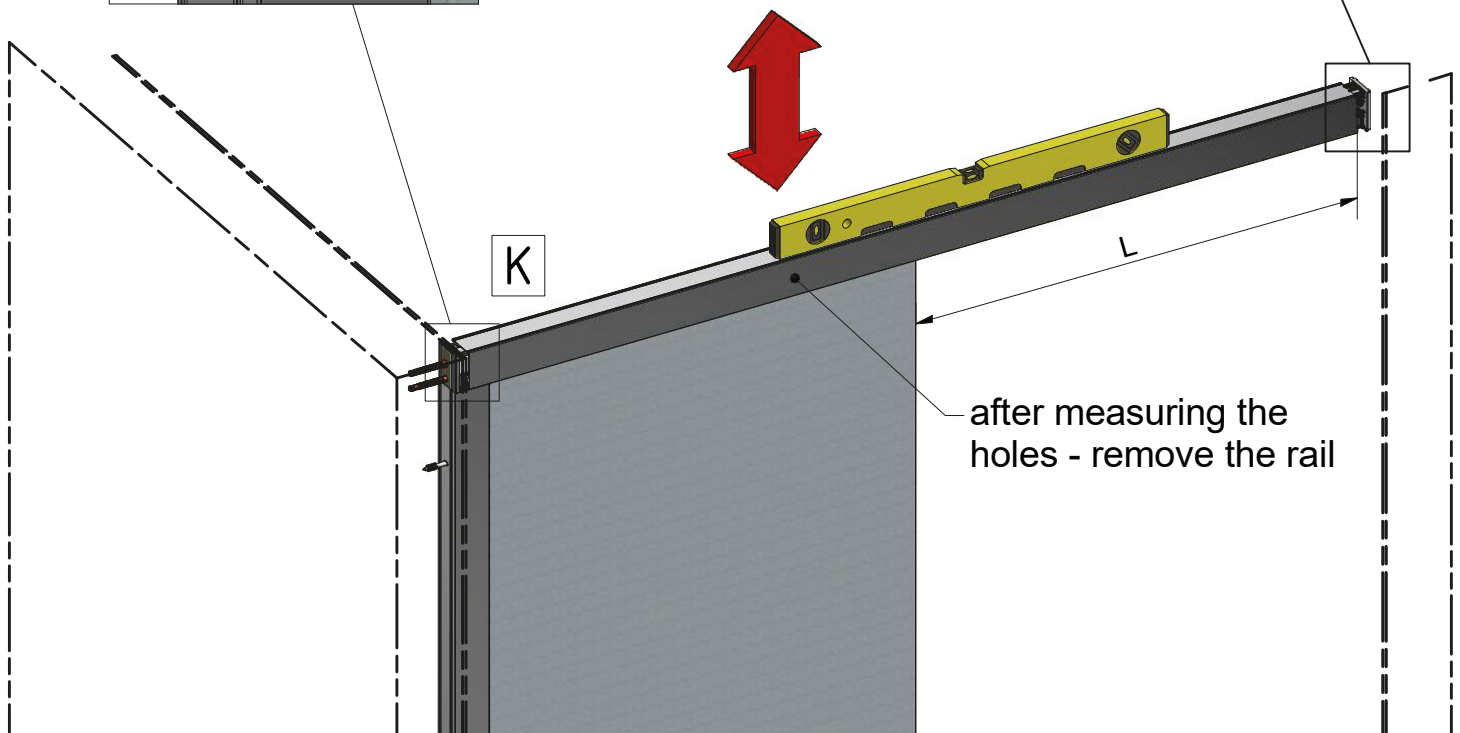
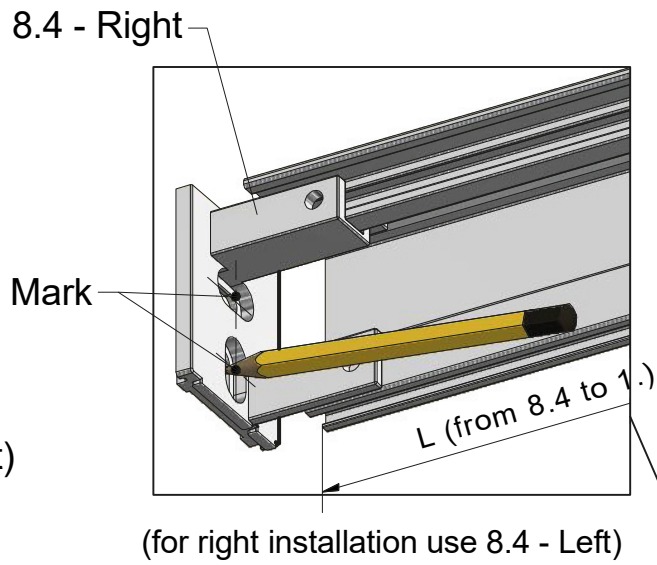
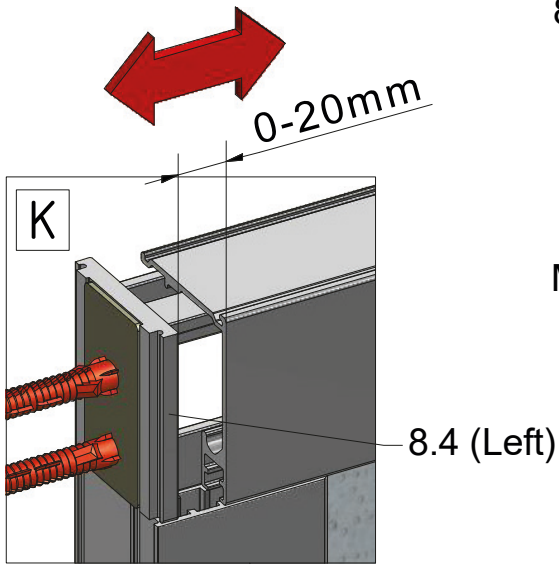
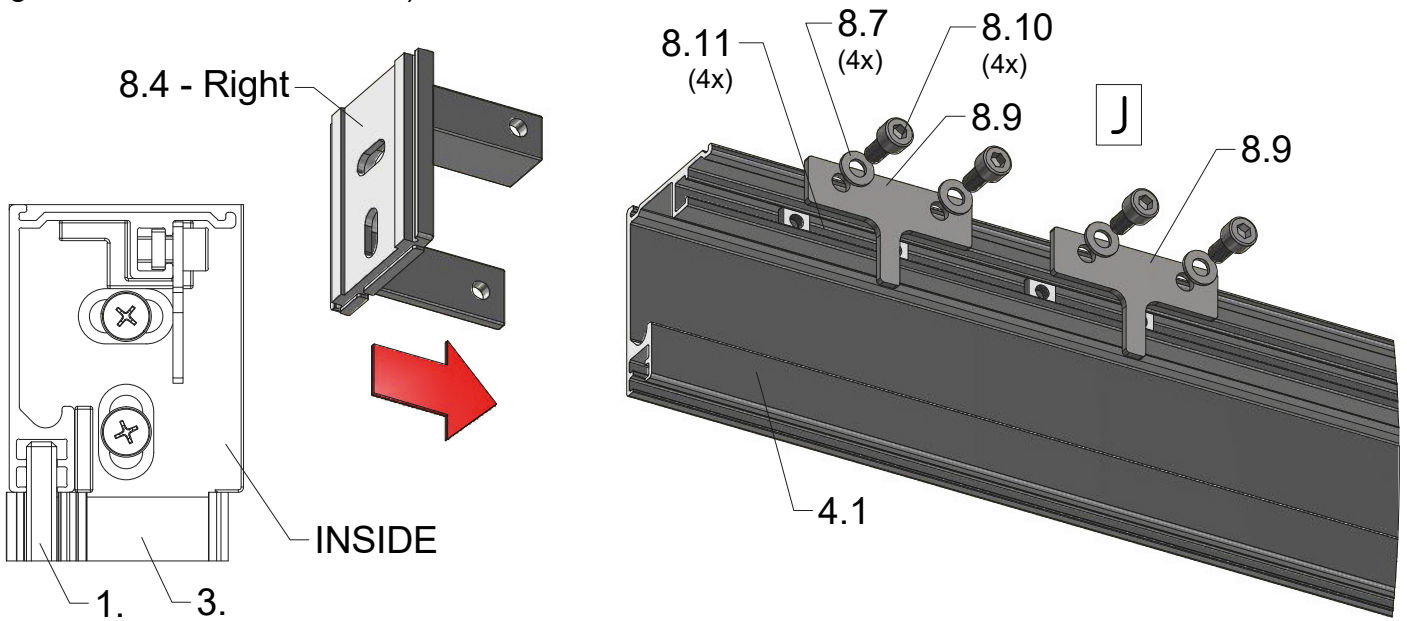


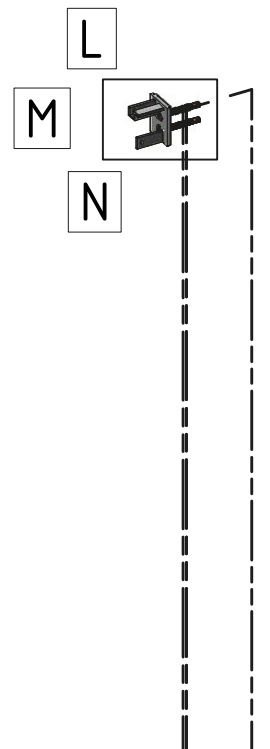
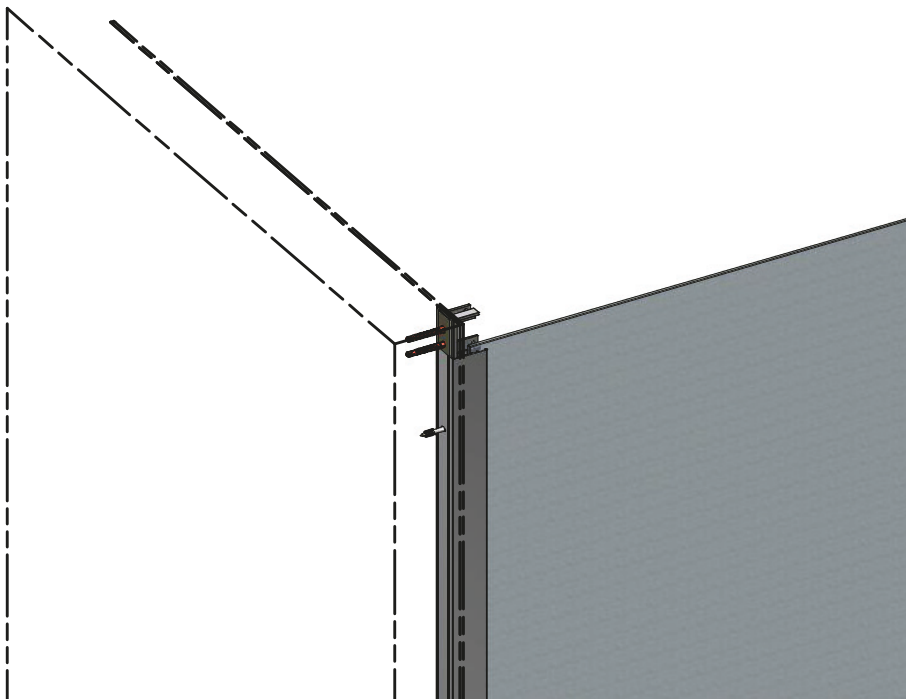
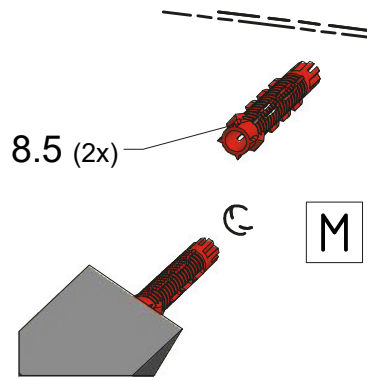
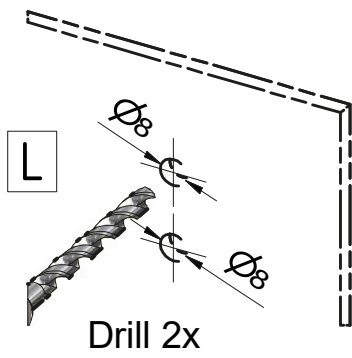
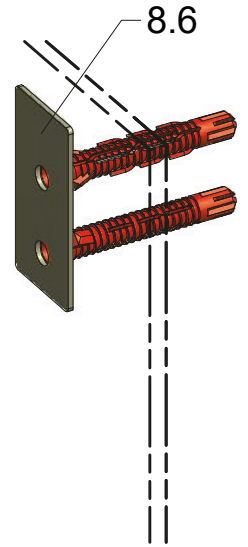
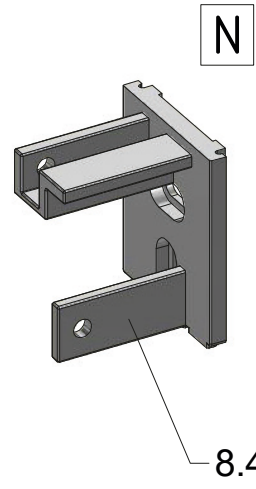
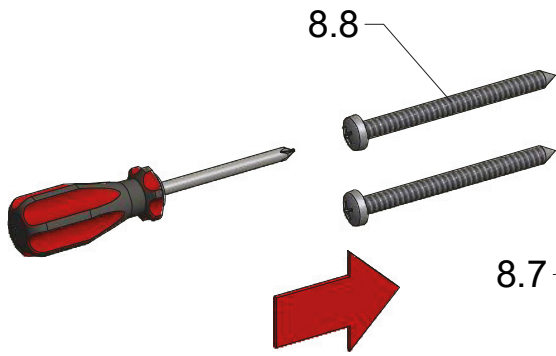
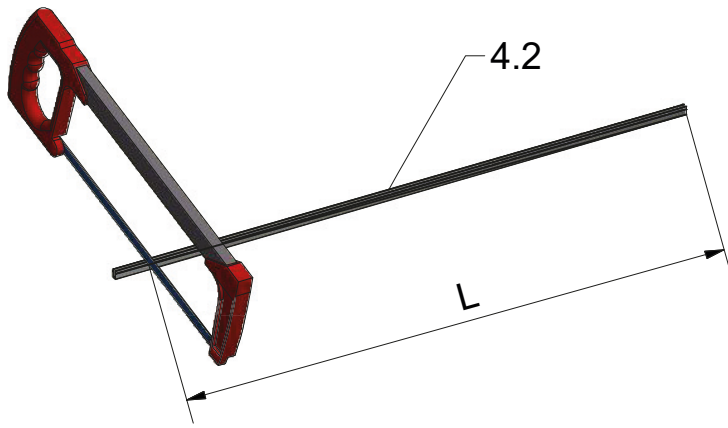
(for right installation use 8.4 - Right)

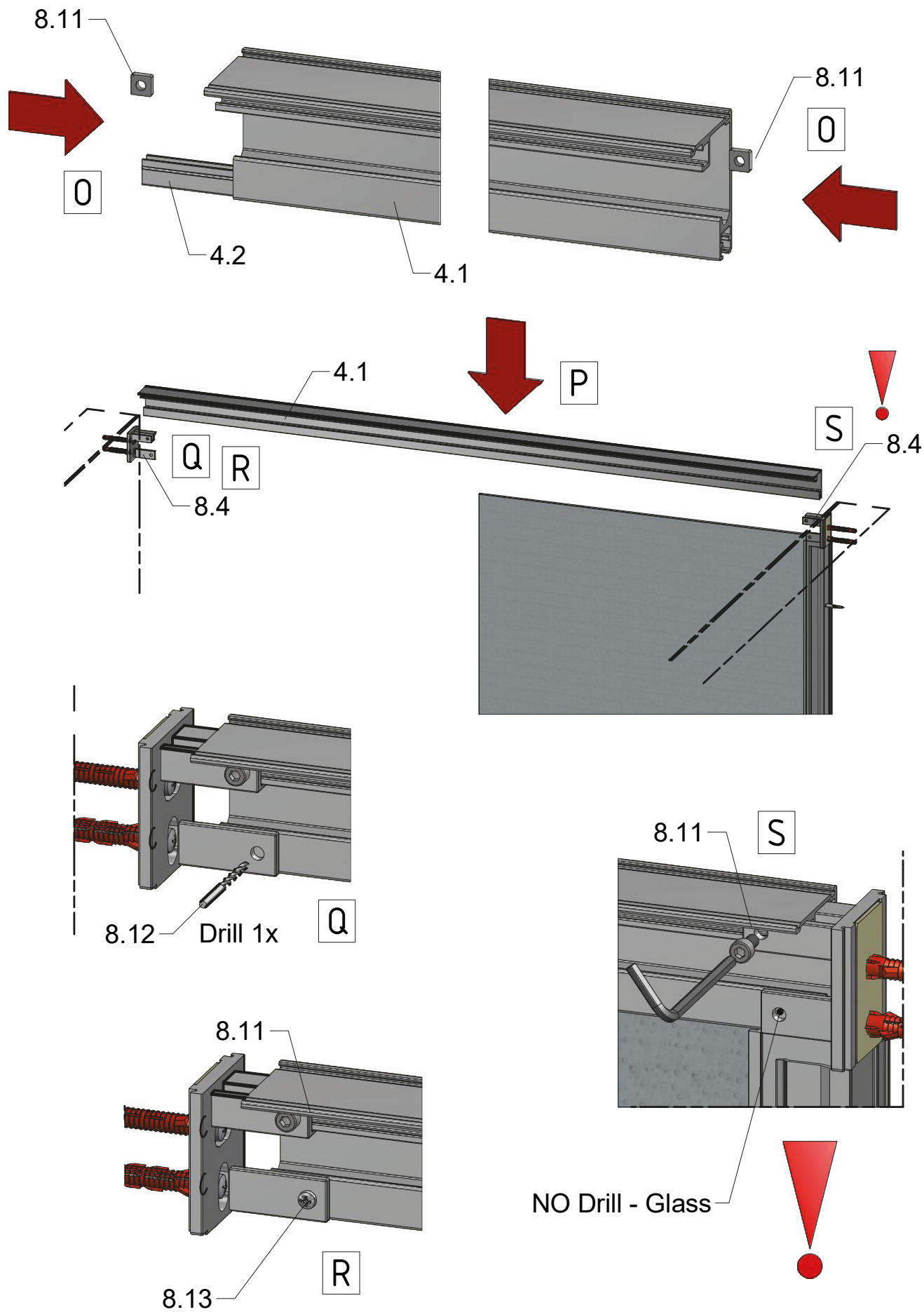


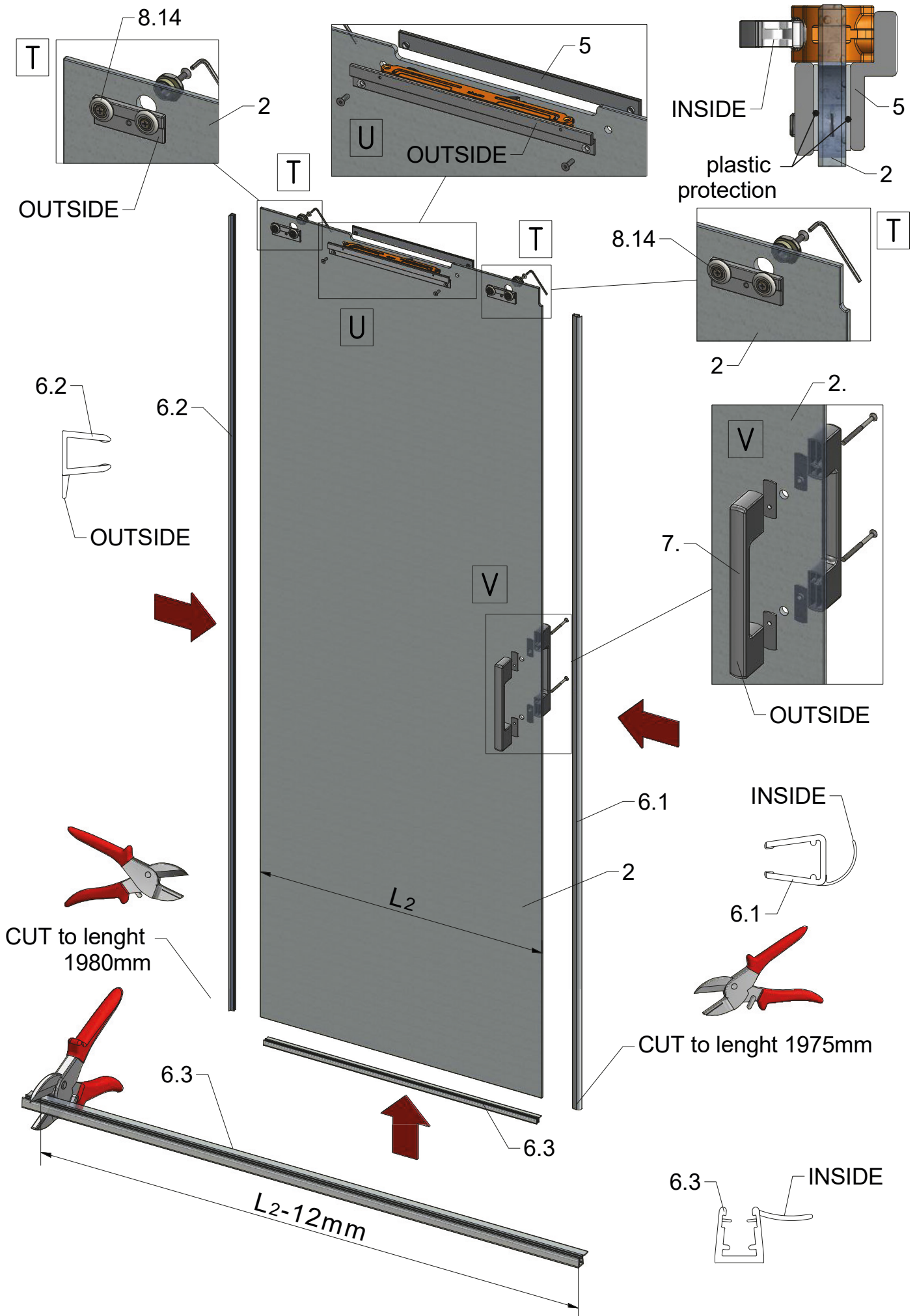


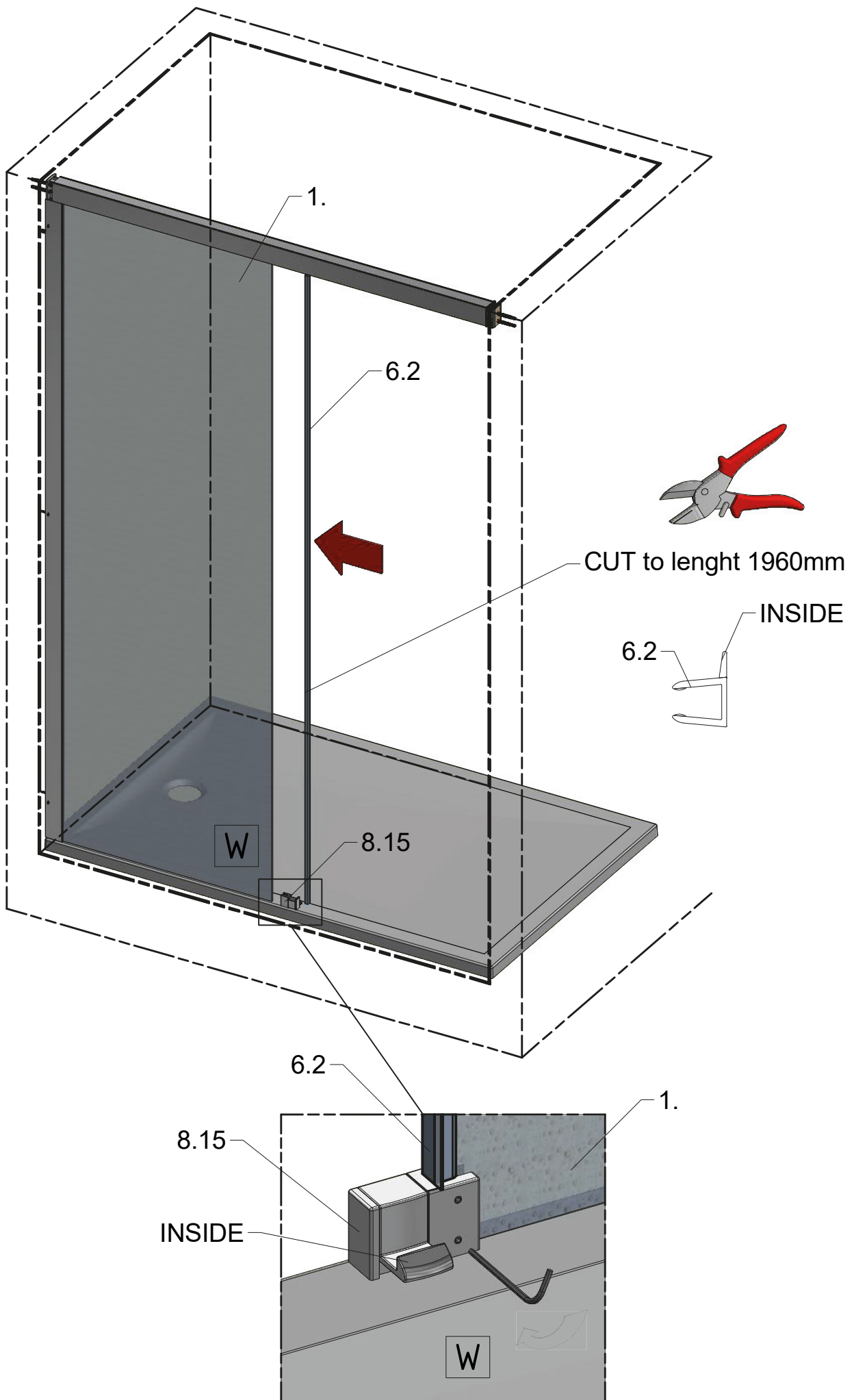
(for right installation use 8.4 - Left)

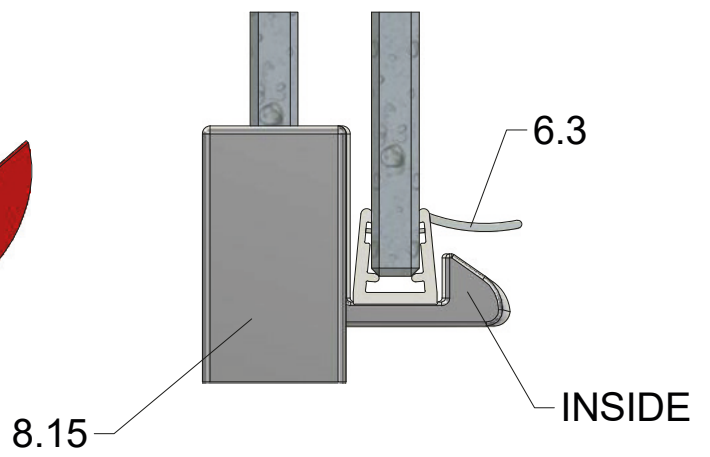
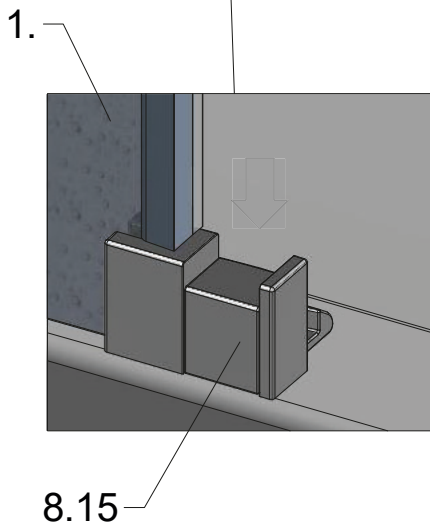
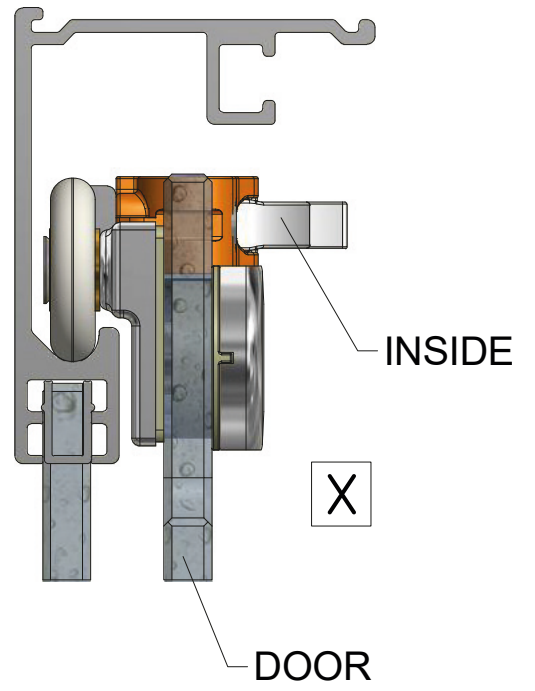
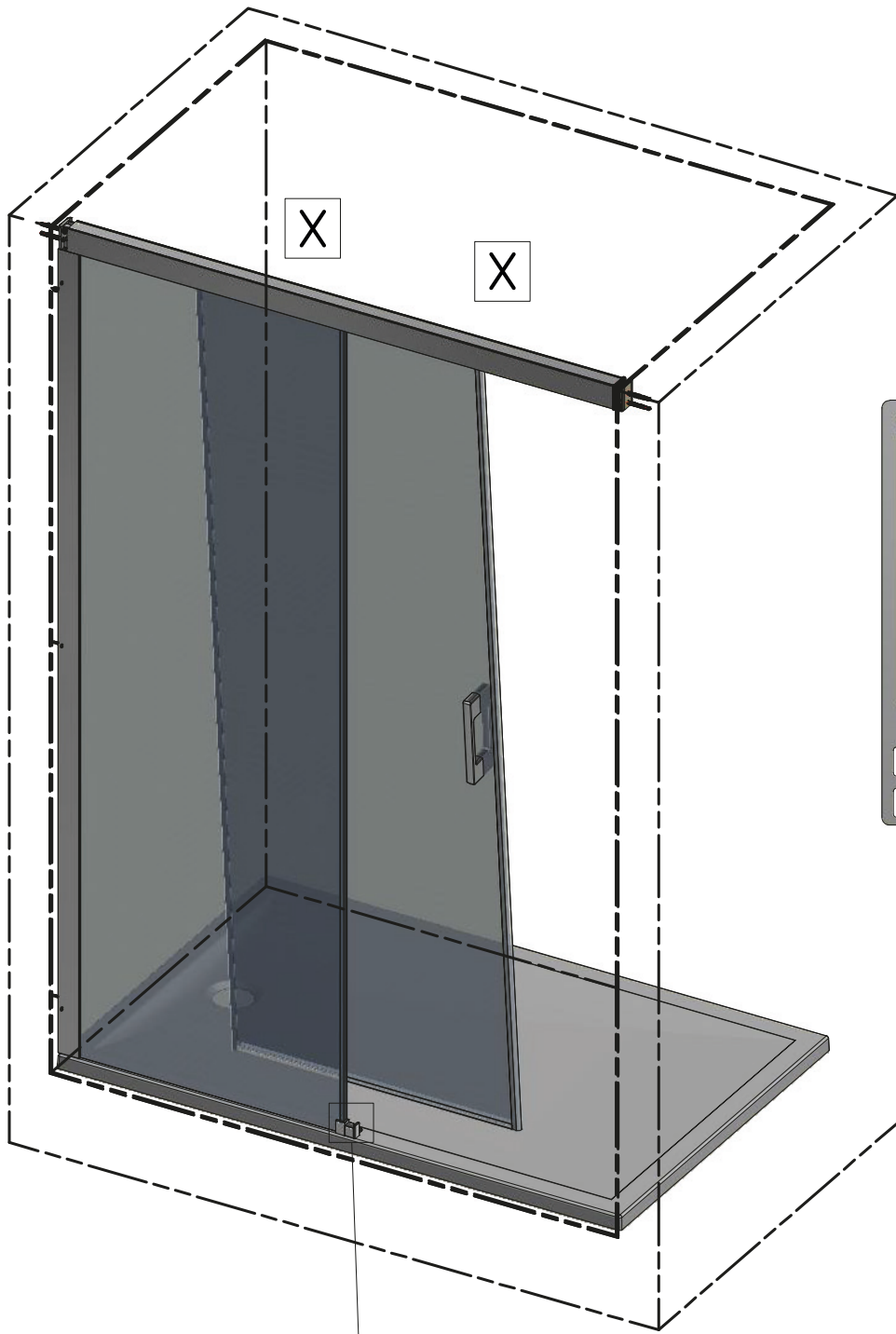


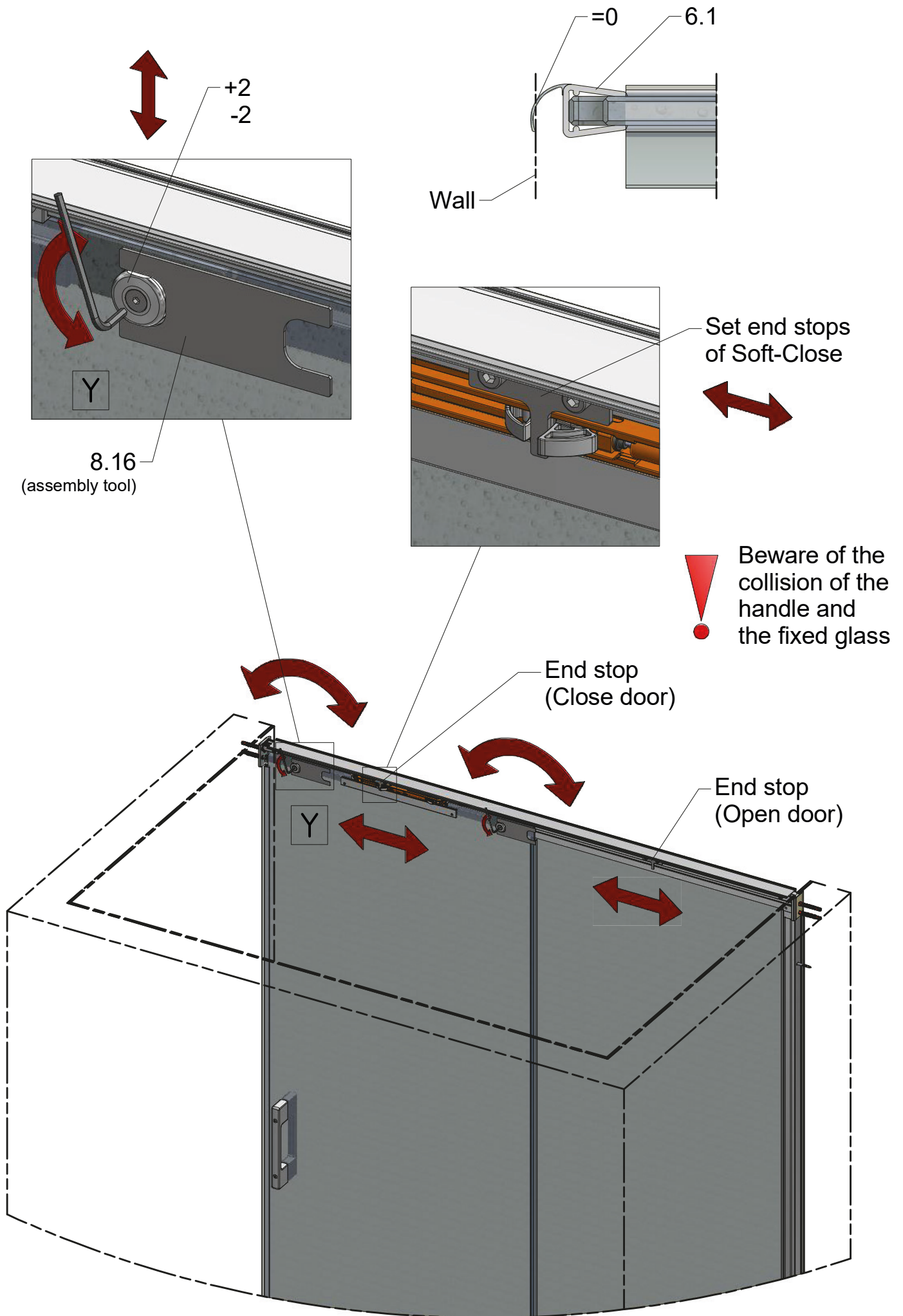


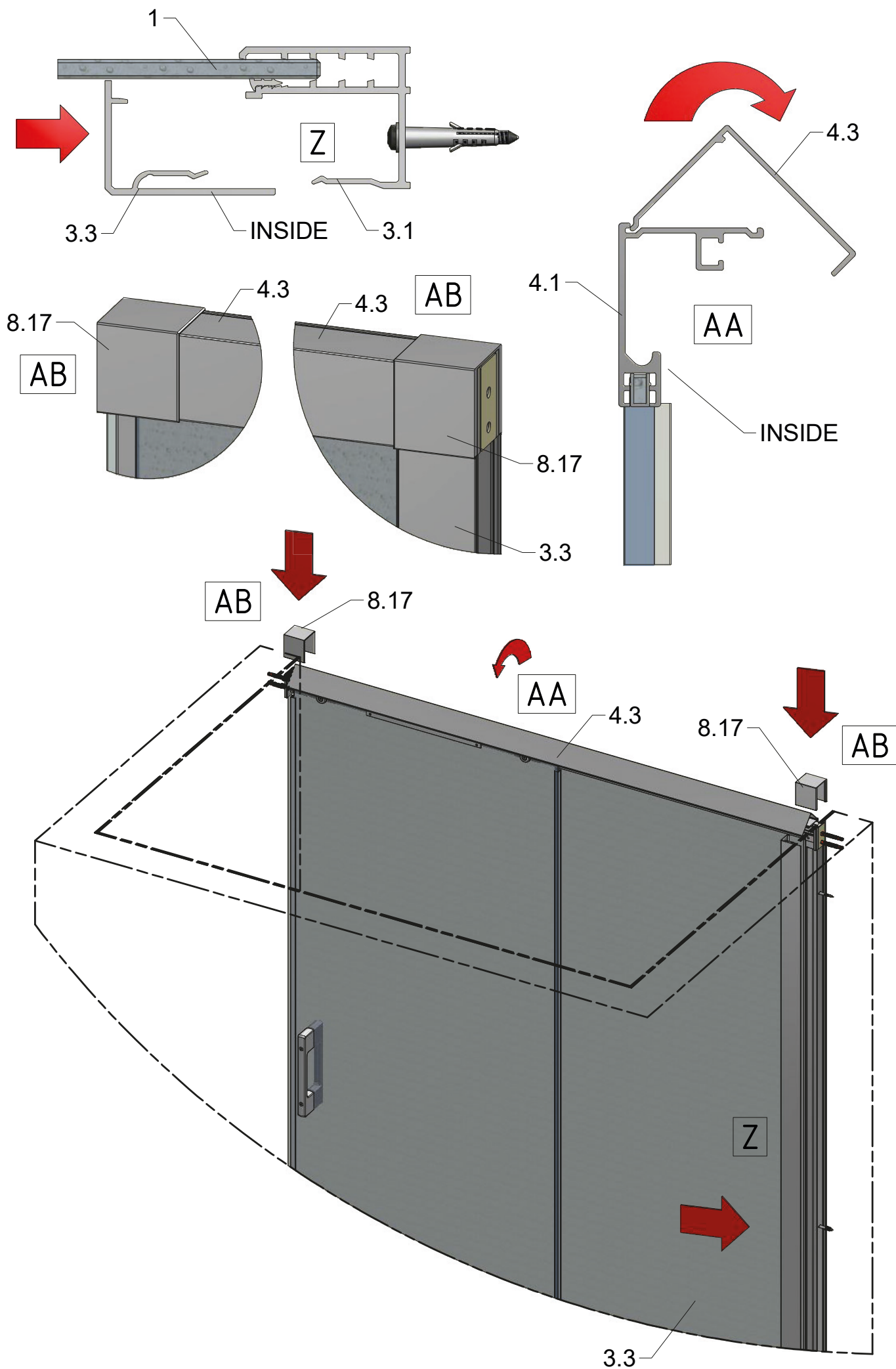


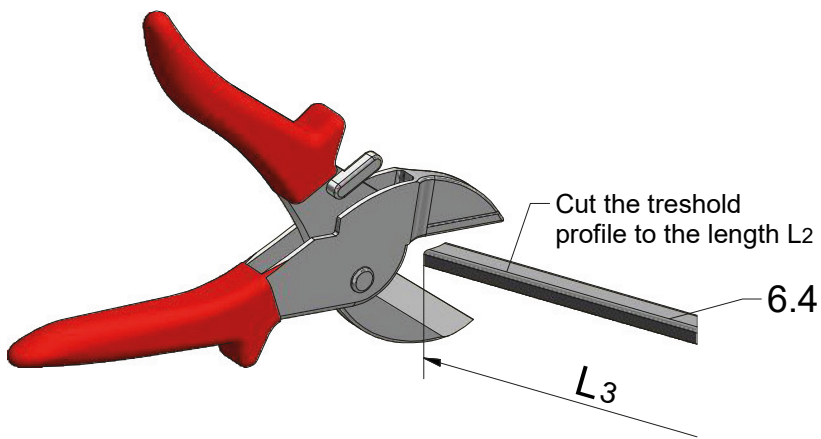
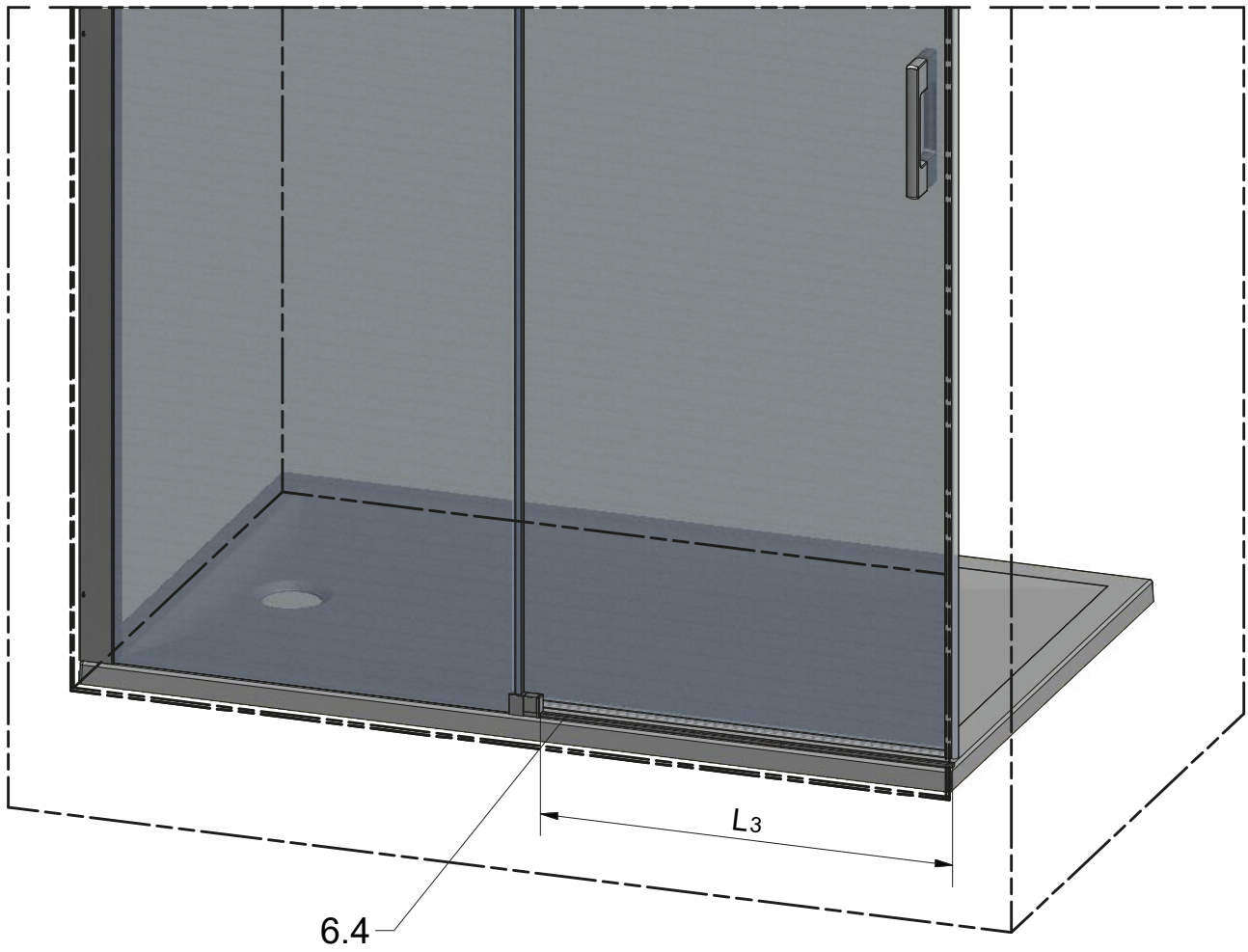




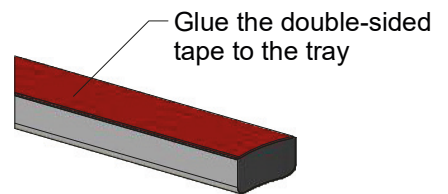






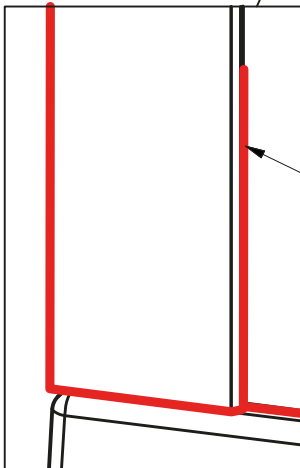
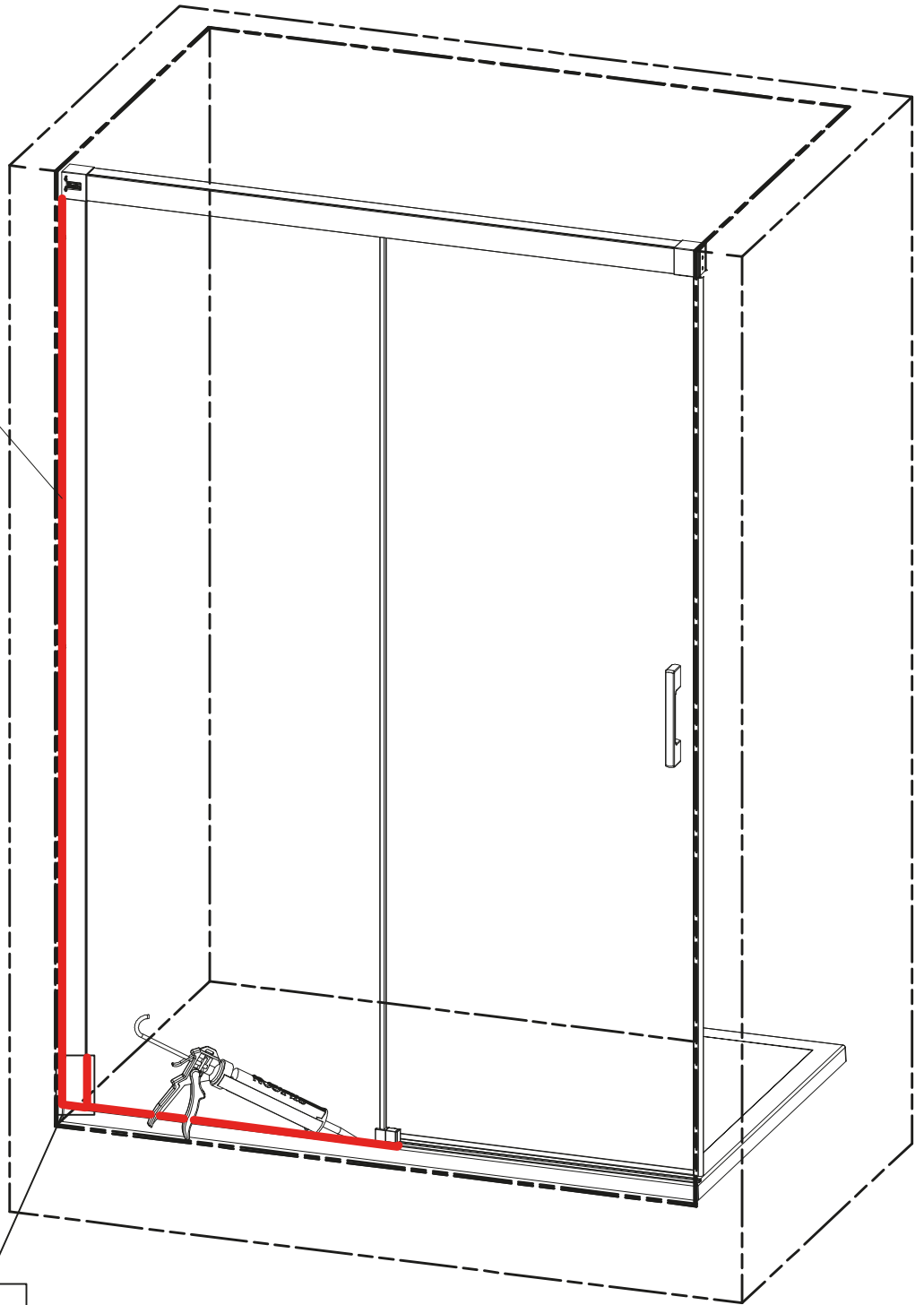


AC

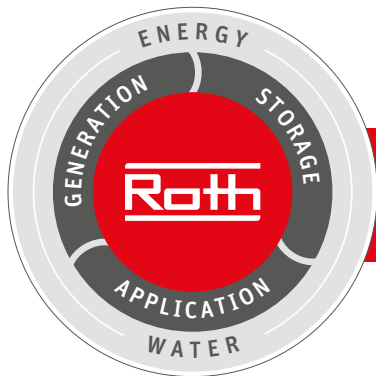




SILICONE



SILICONE
MIN 100mm



Roth Energy and Sanitary Systems

Generation

- Solar systems <
- Heat pump systems <

Storage

- Storage systems for Domestic & heating water <
- Combustibles and biofuels <
- Rainwater and waste water <

Application

- > Radiant heating and cooling systems
- > Pipe installation systems
- > Shower system

Roth

■ Deutschland

ROTH WERKE GMBH
Am Seerain 2
35232 Dautphetal
Telefon: 06466/922-0
Telefax: 06466/922-100
E-Mail: service@roth-werke.de
www.roth-werke.de

■ Czech Republic

Roth Czech s.r.o.
Třebořov 160
569 33 Třebořov
Tel.: +420 461 353 611
E-Mail: objednavky@roth-czech.cz
www.roth-czech.cz

■ France

ROTH FRANCE
CS 20090
78, rue Ampère - ZI
77465 Lagny sur Marne Cedex
Tél.: +420 461 353 611
www.roth-france.fr