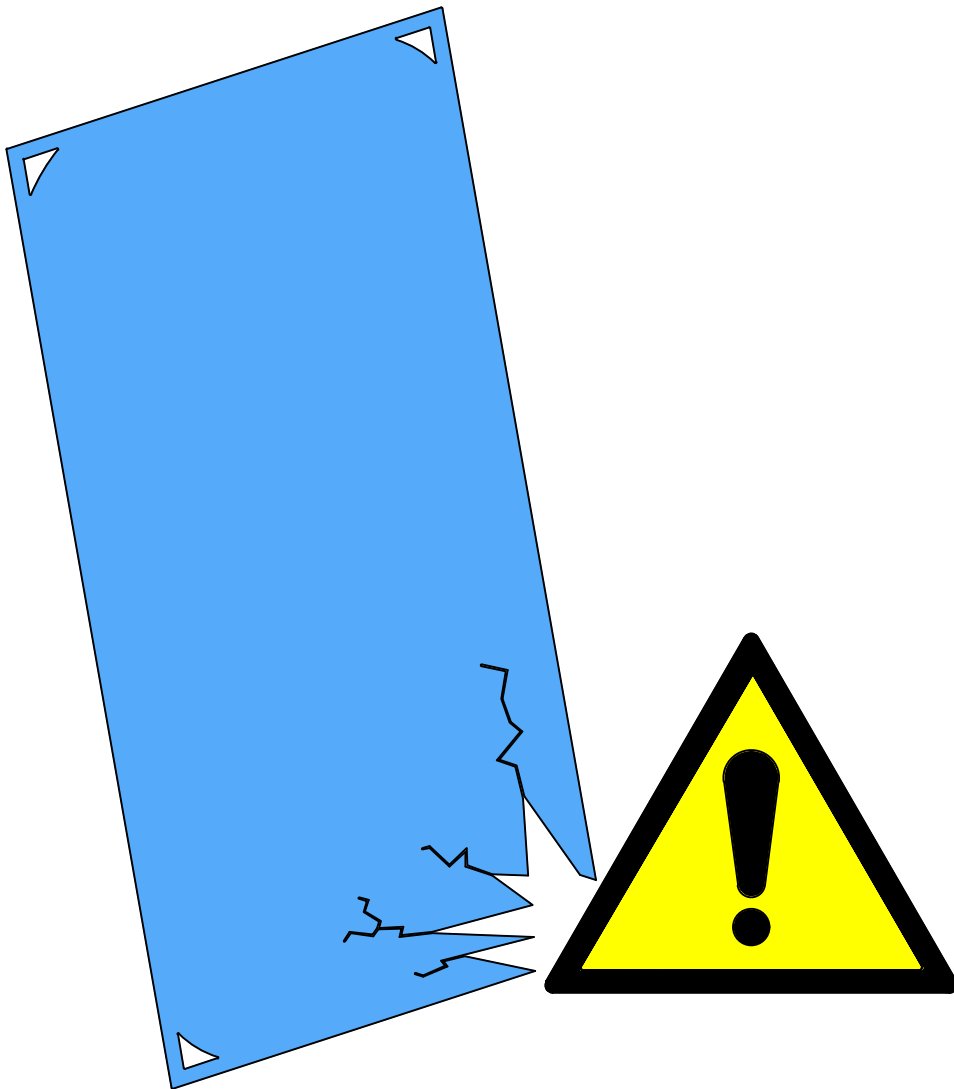
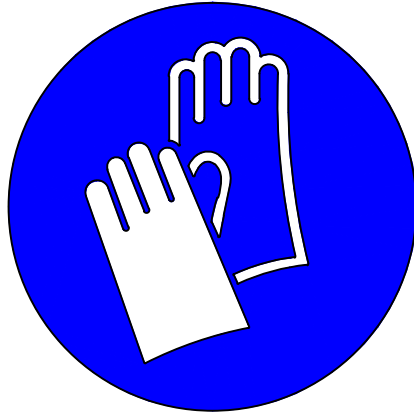
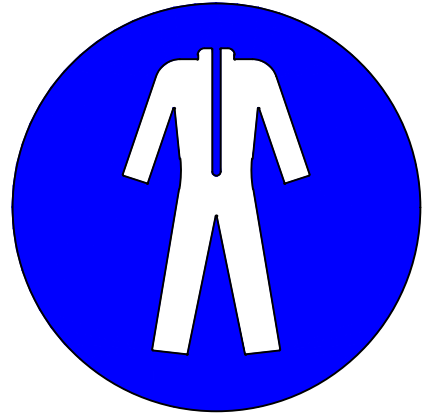
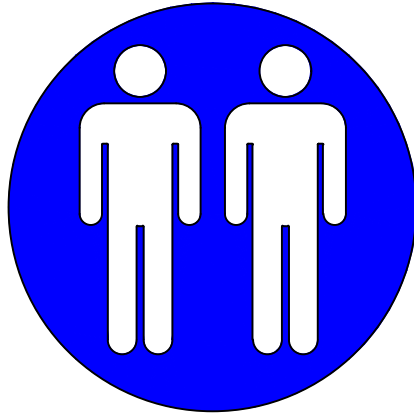
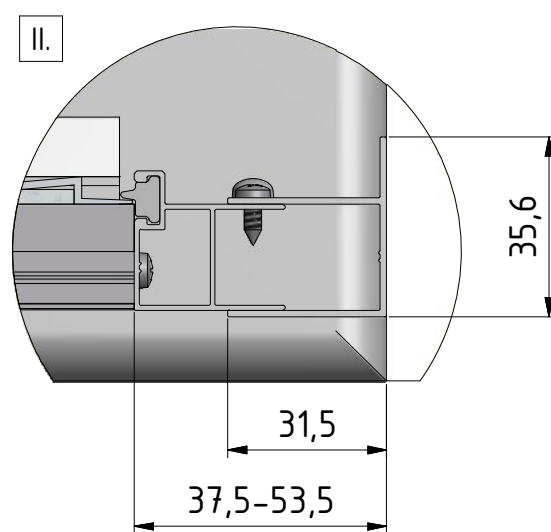
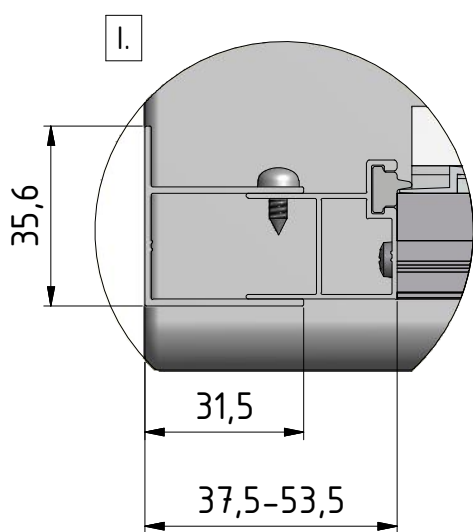
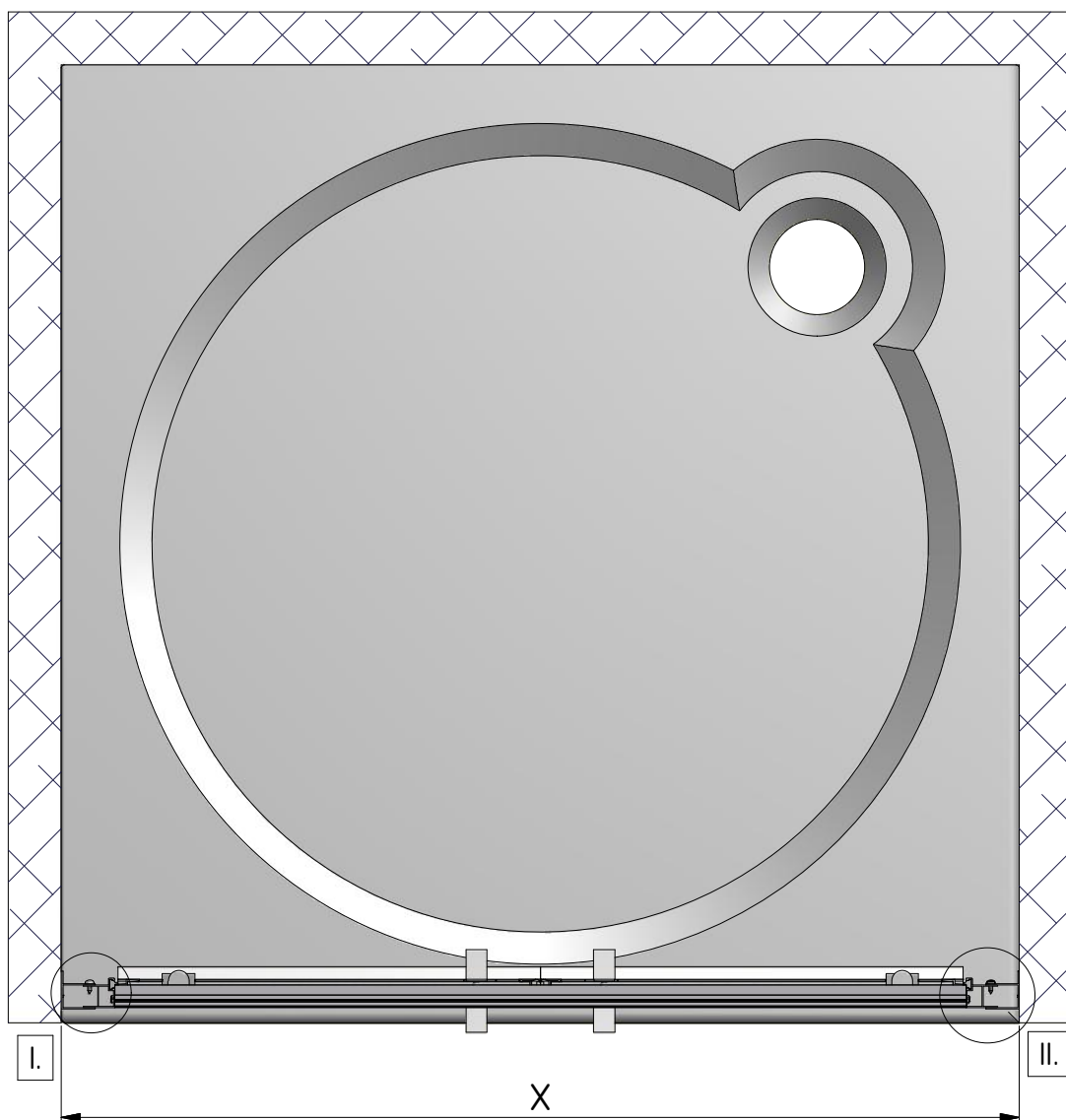


LLDO2

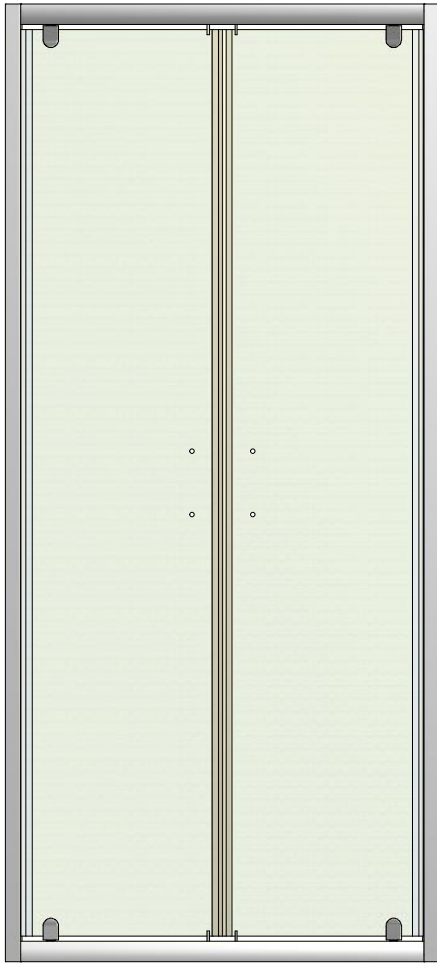






	X (MIN-MAX)
700	675-707
800	775-807
900	875-907
1000	975-1007

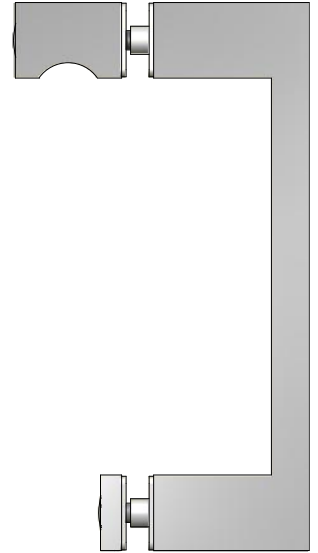
1. 1x



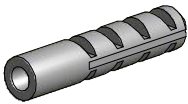
7. 2x (P3101)



22. 2x (MB1851)



4. 6x (M0511)



5. 6x (M0795)

Ø3,5x38



6. 12x (MA0511)



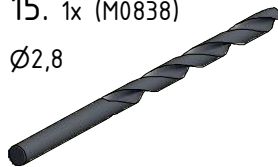
12. 6x (M0806)

Ø3,5x9,5

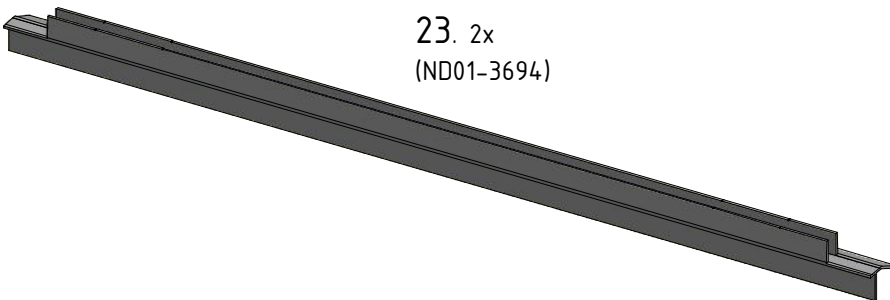


15. 1x (M0838)

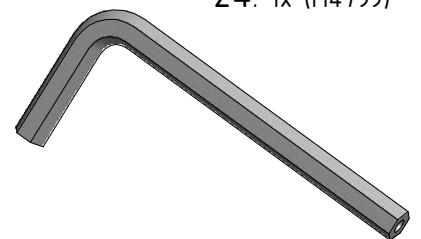
Ø2,8



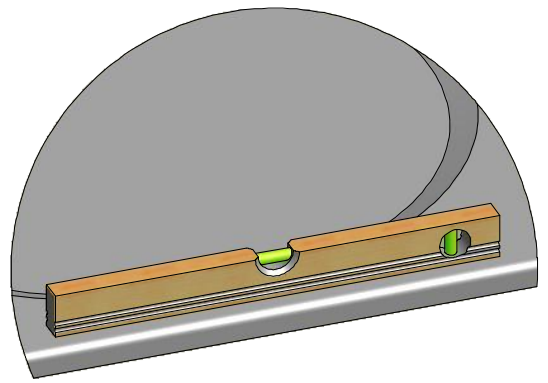
23. 2x
(ND01-3694)



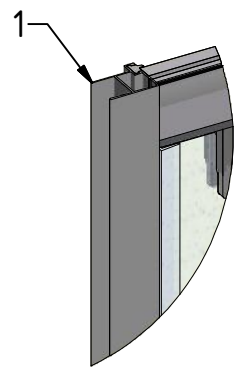
24. 1x (M4799)



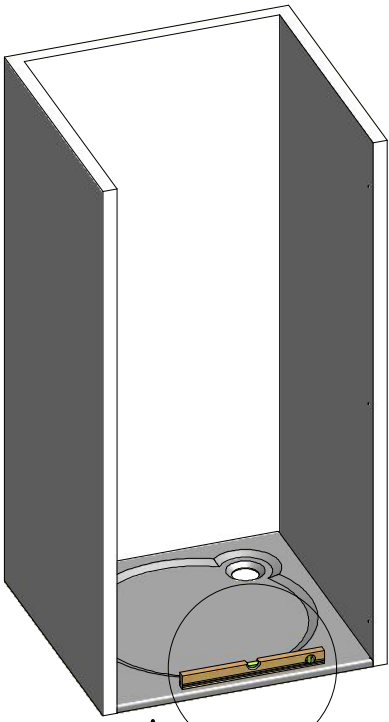
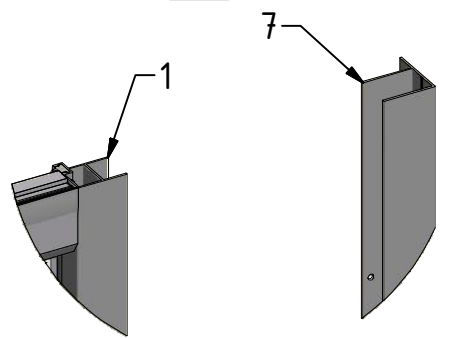
A



B



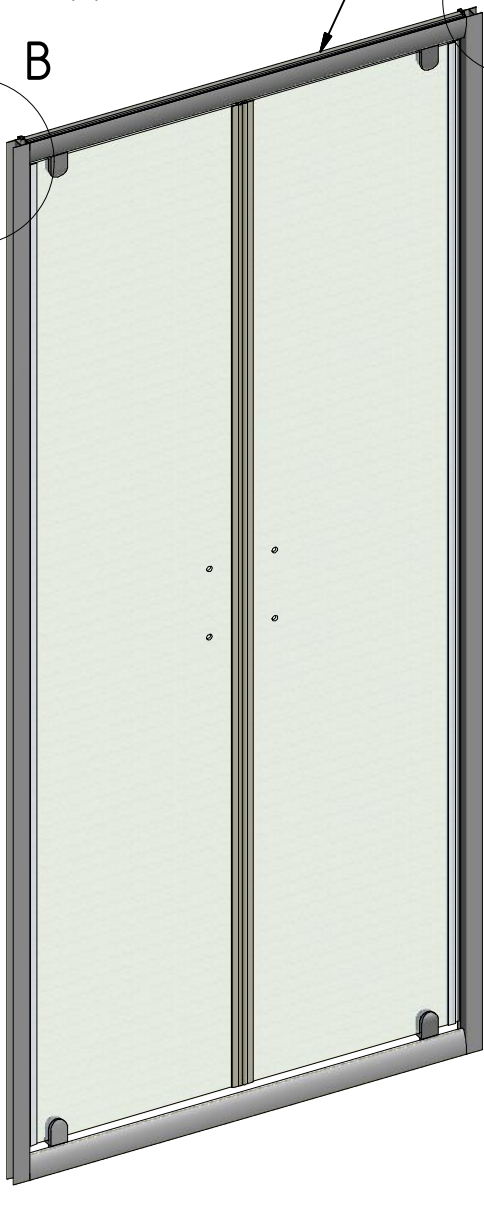
C



A

B

C



7

1

7

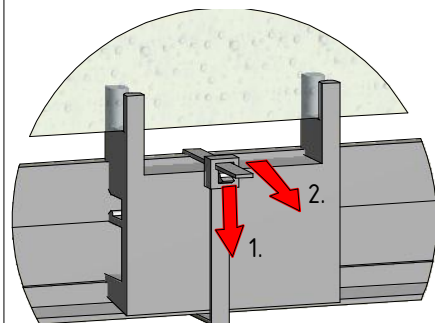
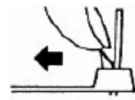
7

1

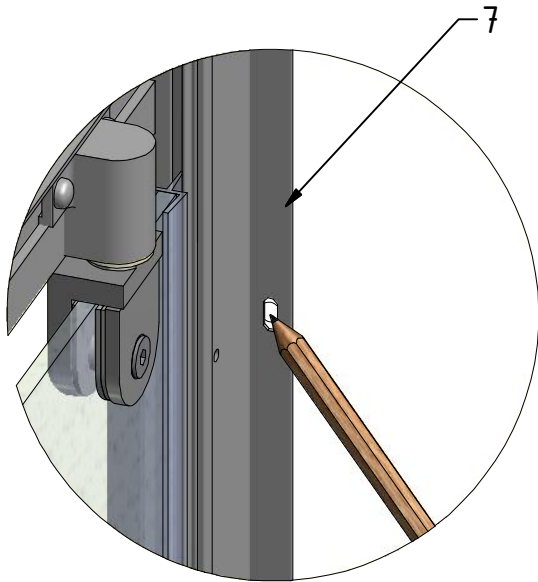
1

7

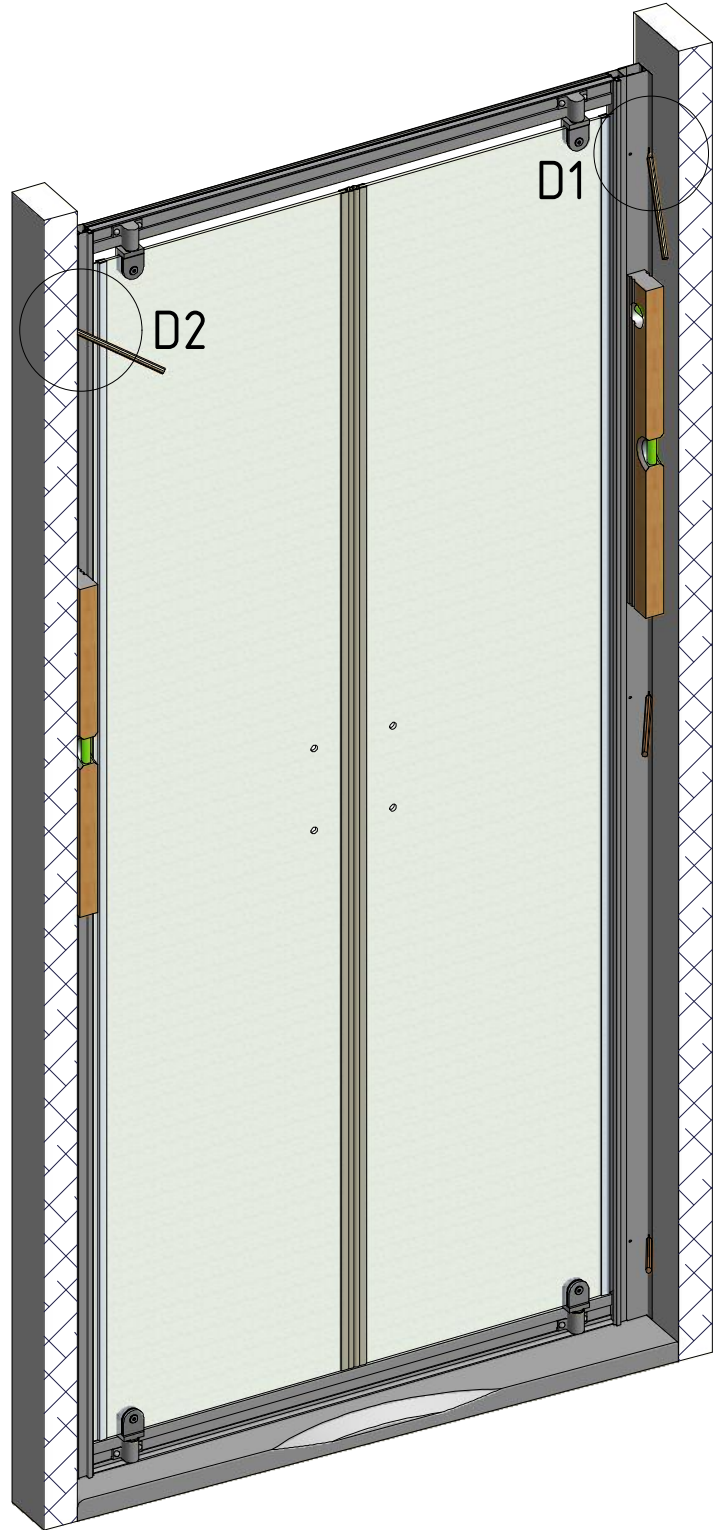
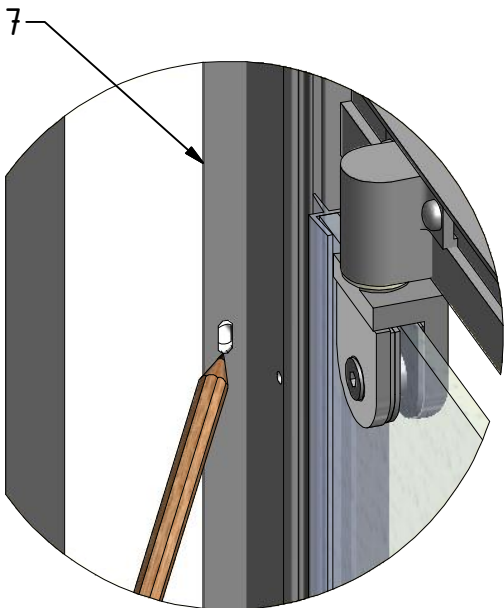
1

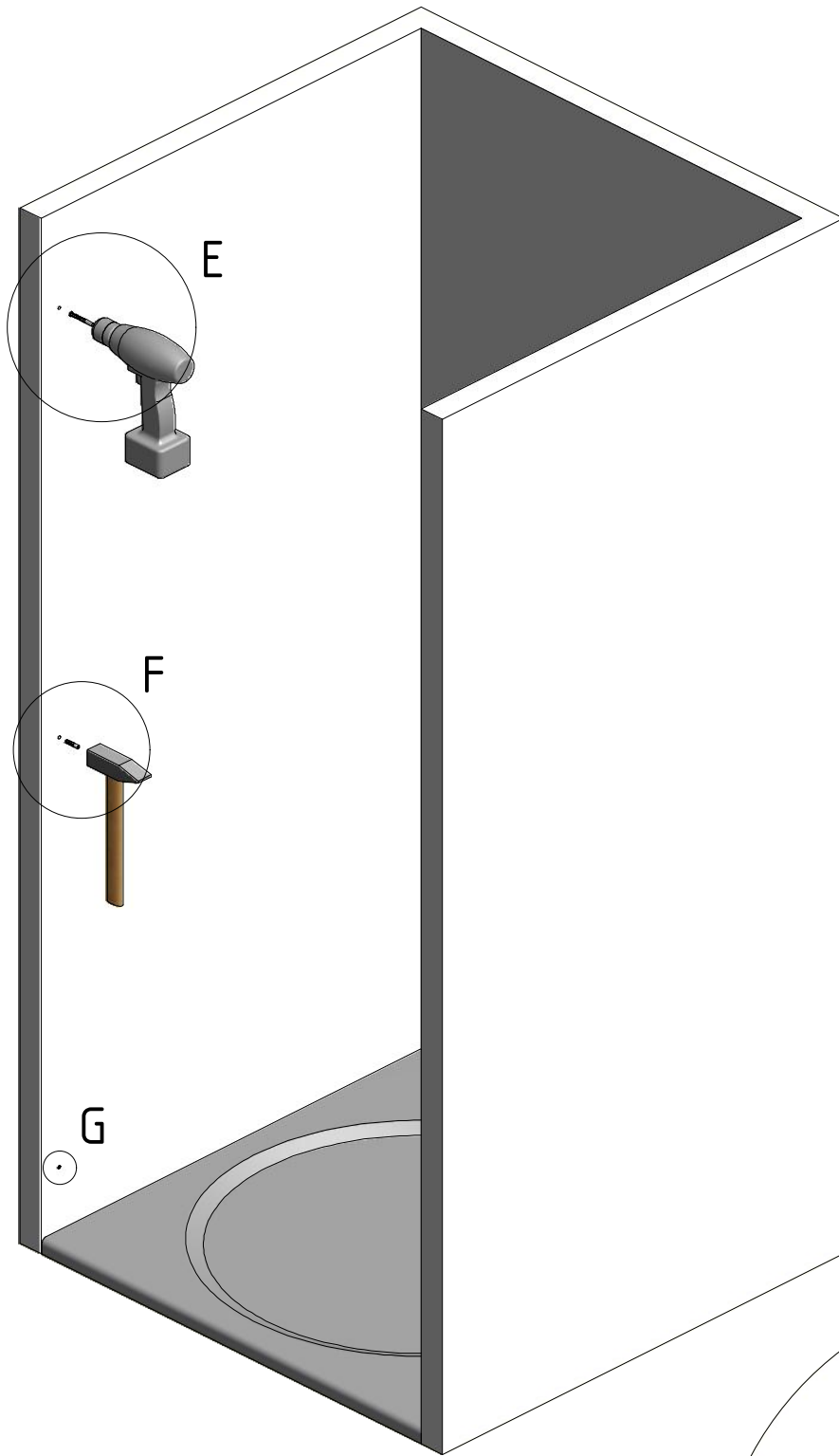
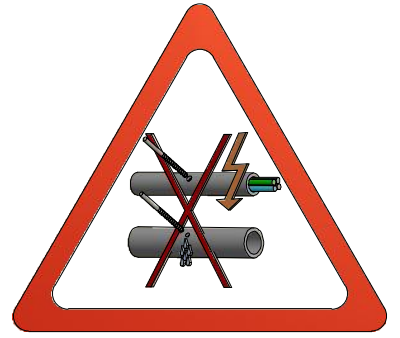


D1 3x

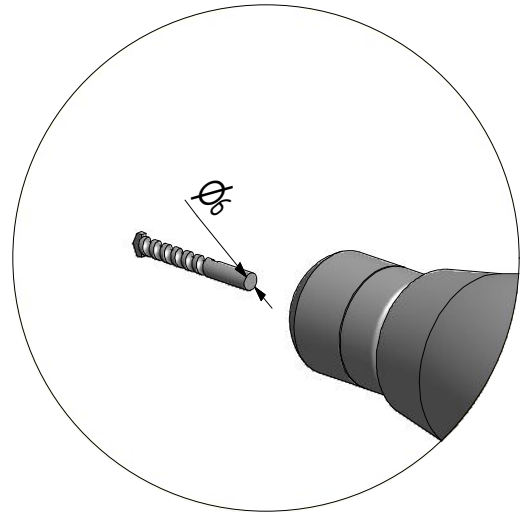


D2 3x

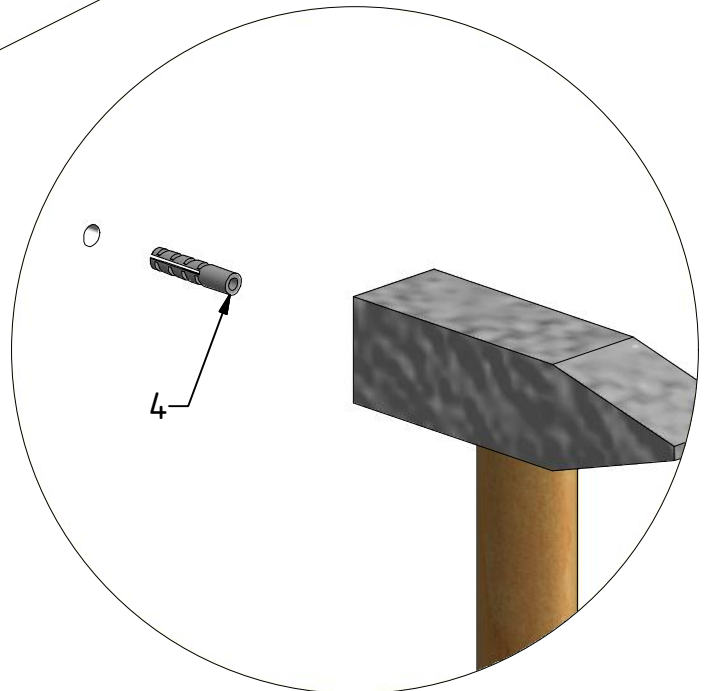




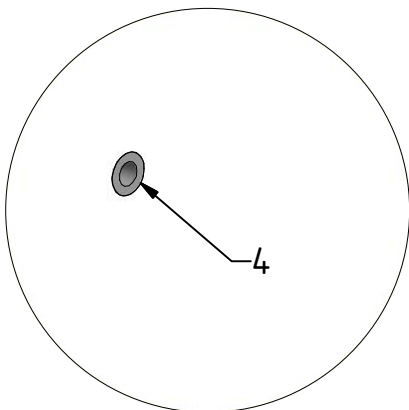
E 6x



F 6x

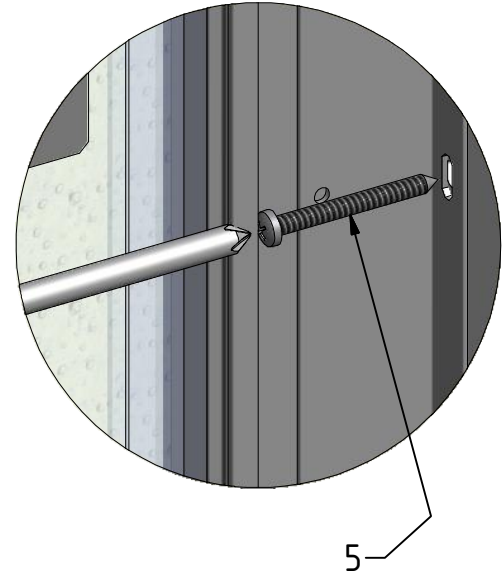


G 6x

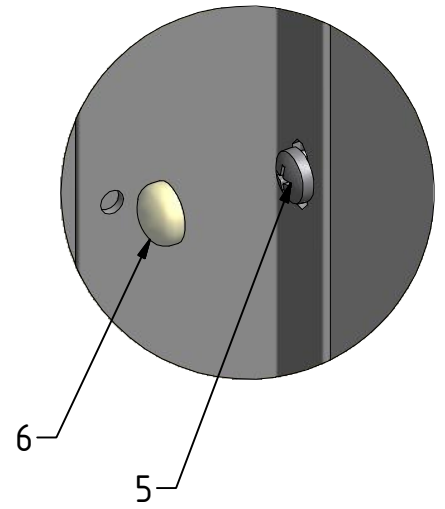




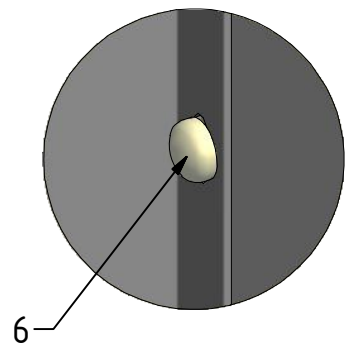
H 6x

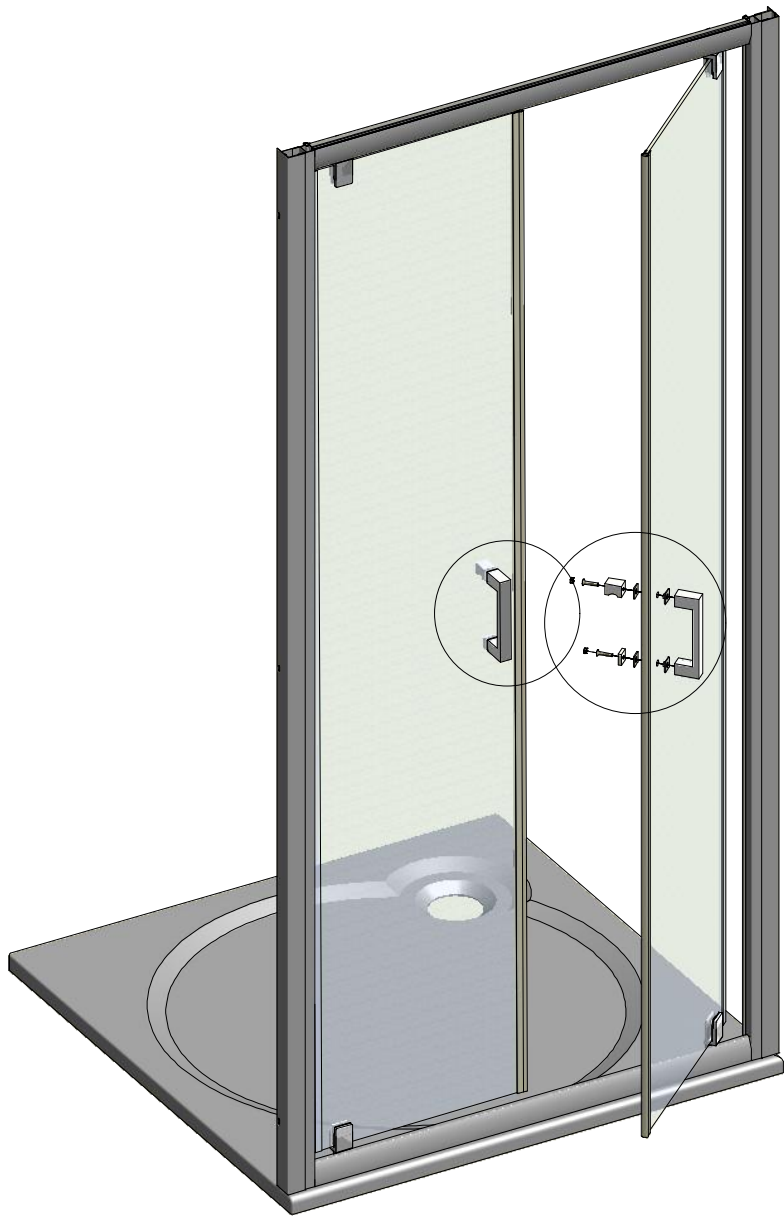


I 6x

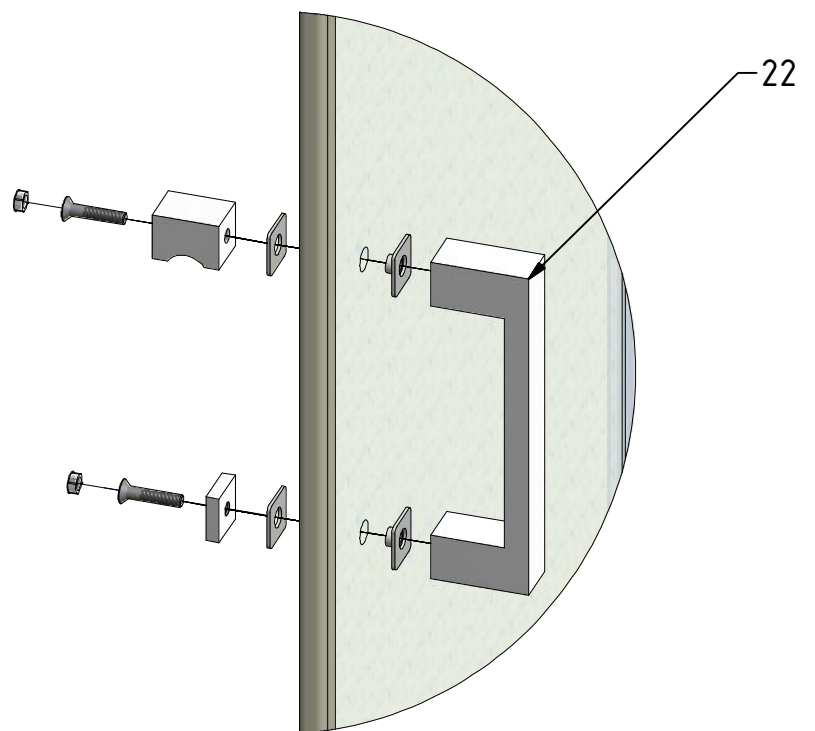


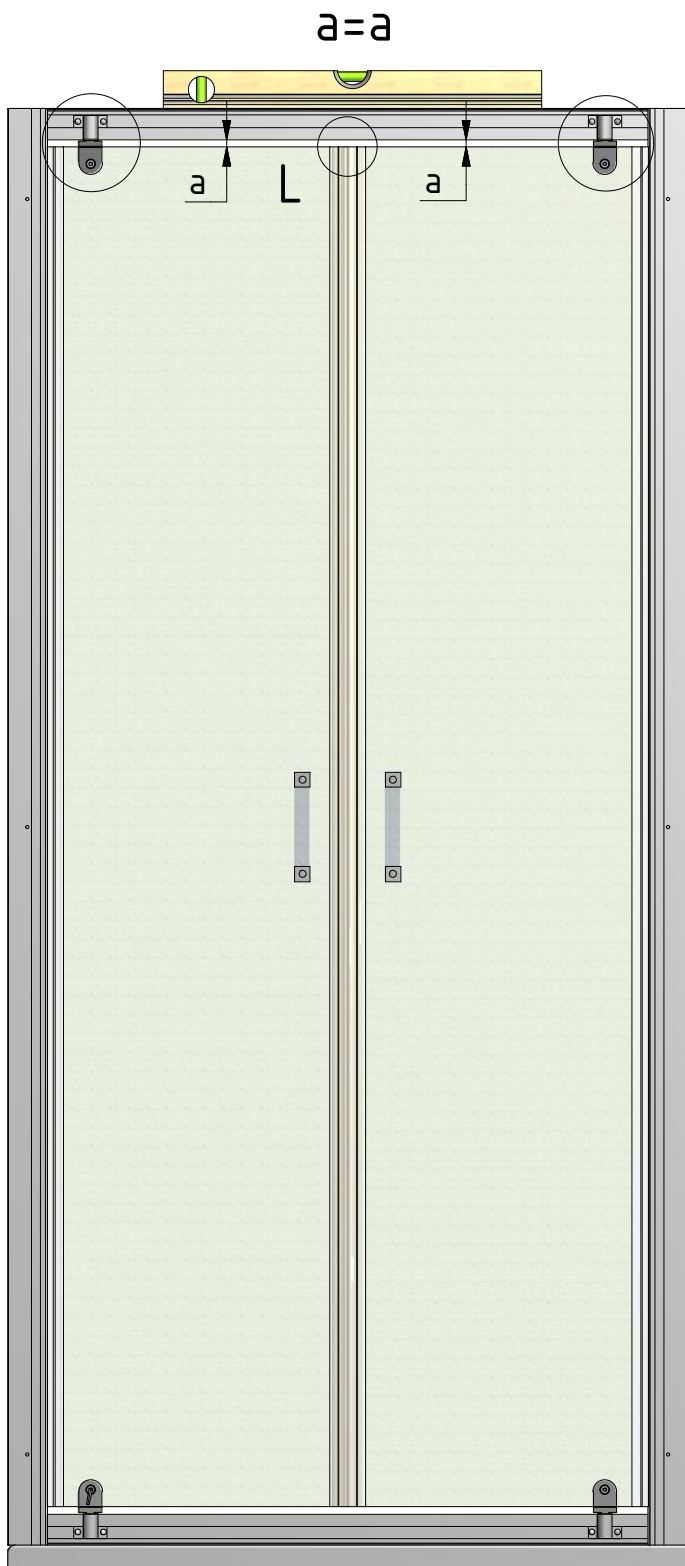
J 6x



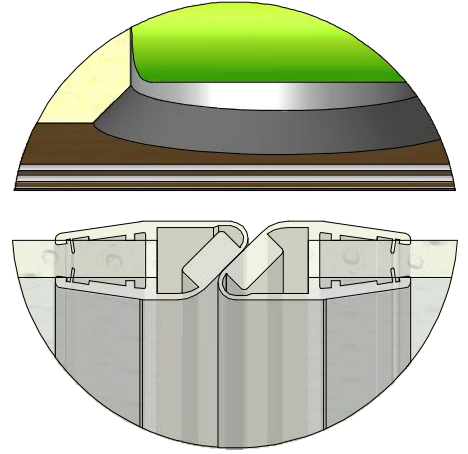


K 2x

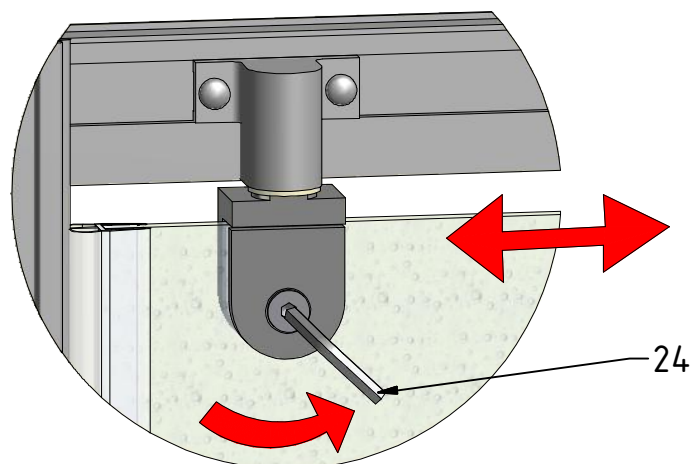
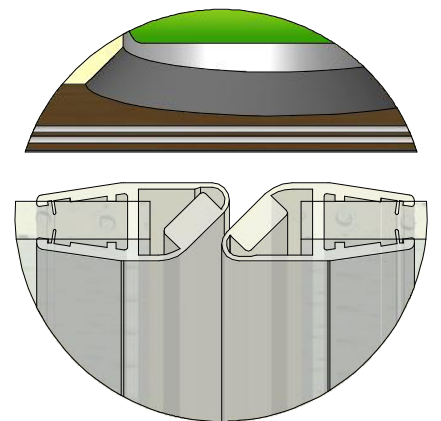




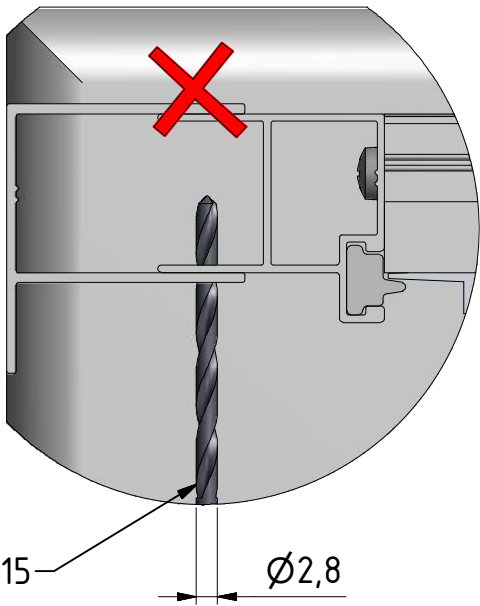
L OK



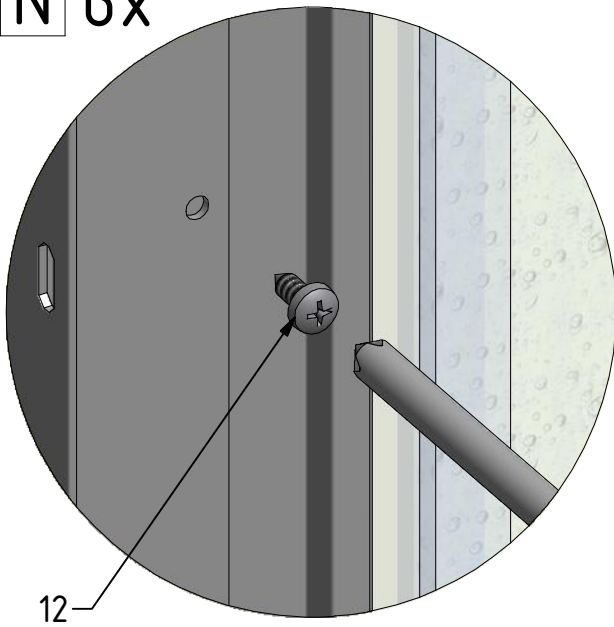
NOT OK



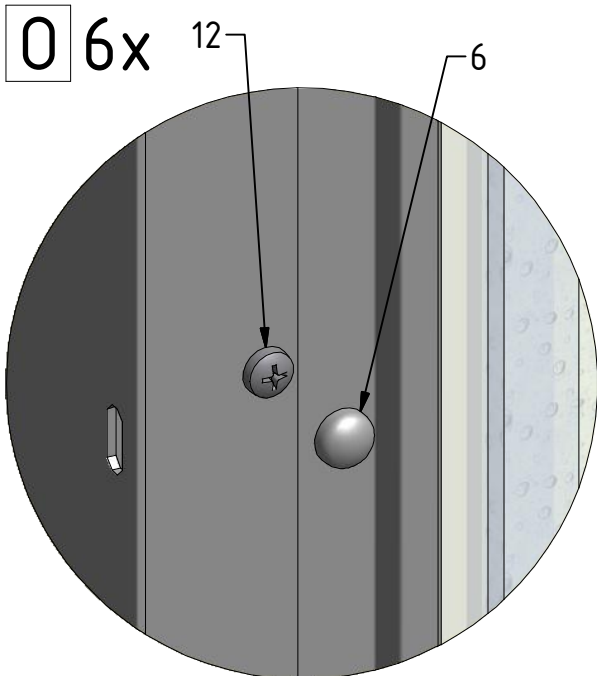
M 6x



N 6x



O 6x

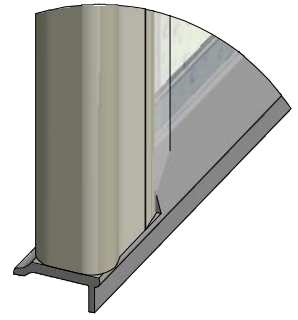


M

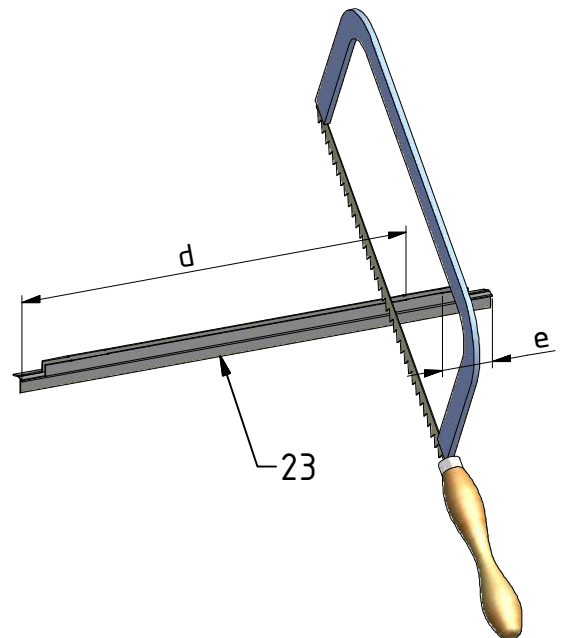
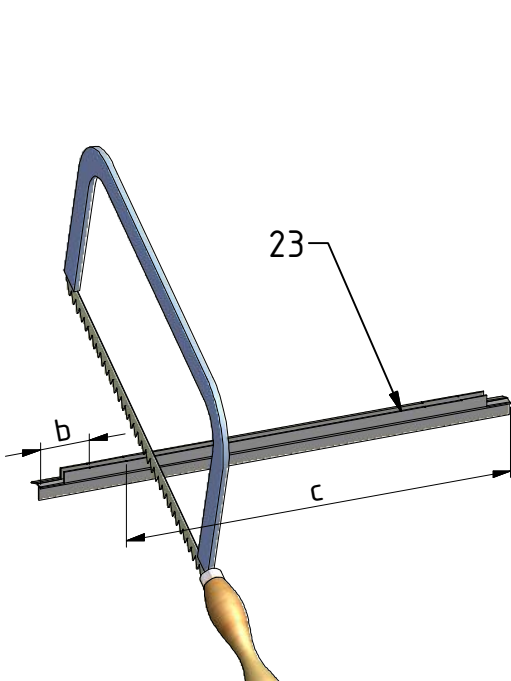
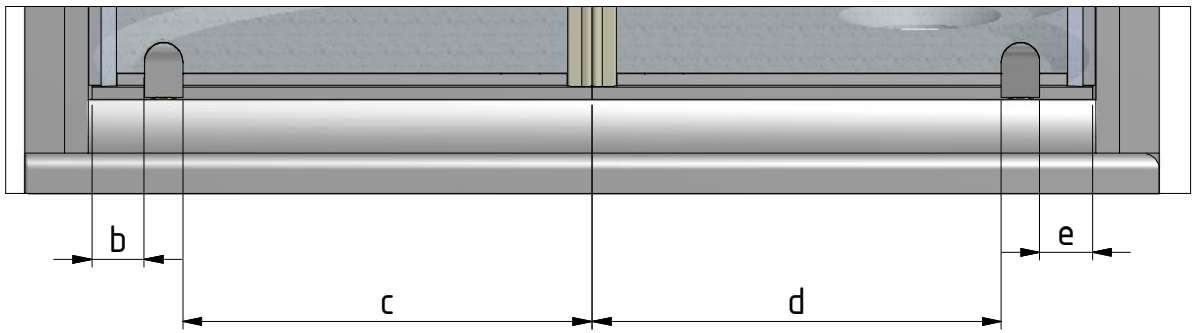
N

O





R





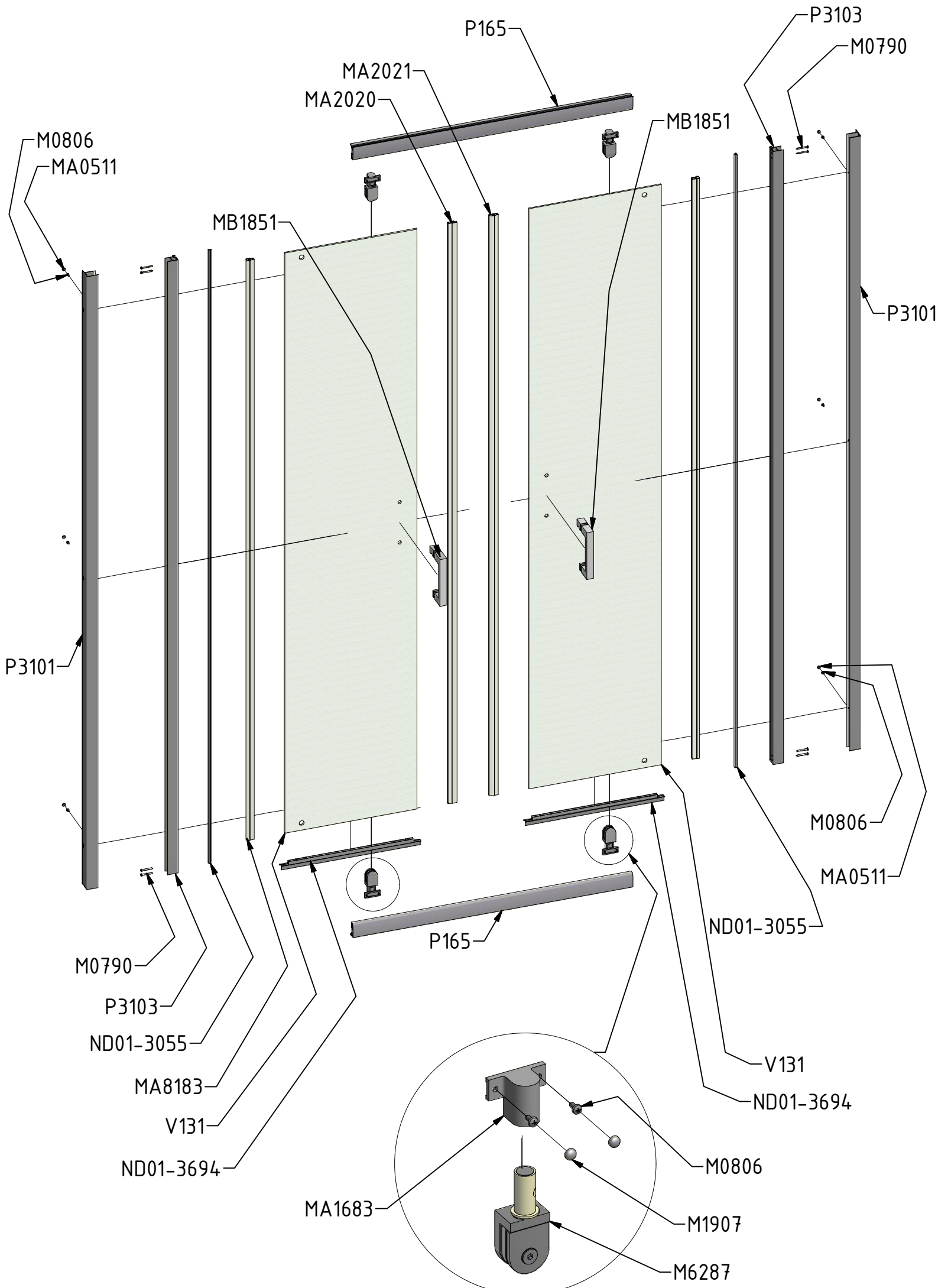
SILICONE

SILICONE
MIN 100mm

SILICONE

SILICONE

SILICONE
MIN 100mm



V131	700	clear glass	ND02-0661-02
		intima	ND02-0661-21
	800	clear glass	ND02-0662-02
		intima	ND02-0662-21
	900	clear glass	ND02-0663-02
		intima	ND02-0663-21
1000	clear glass	ND02-0664-02	
	intima	ND02-0664-21	

P165	700	brillant	P3342
	800		P3343
	900		P3344
	1000		P3345

