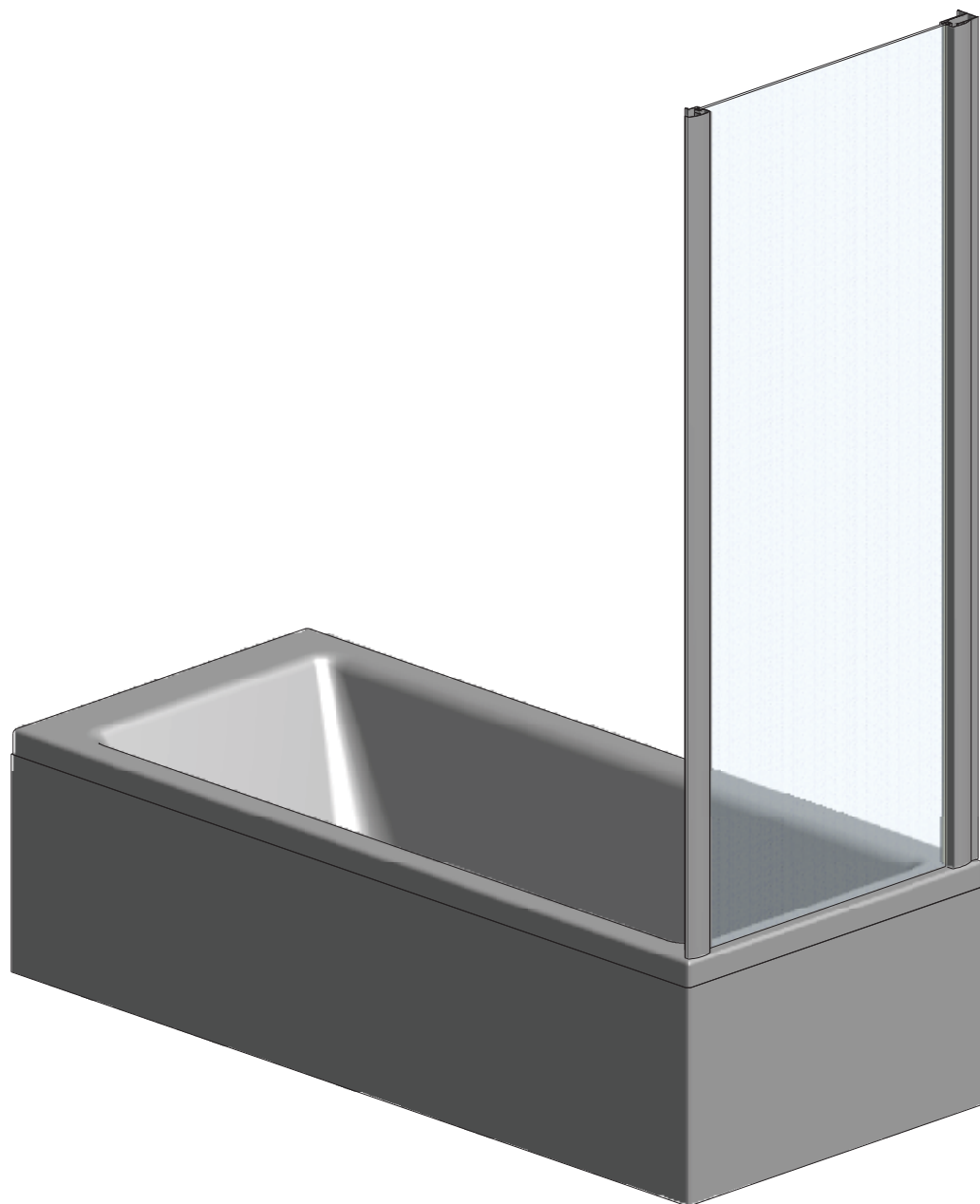


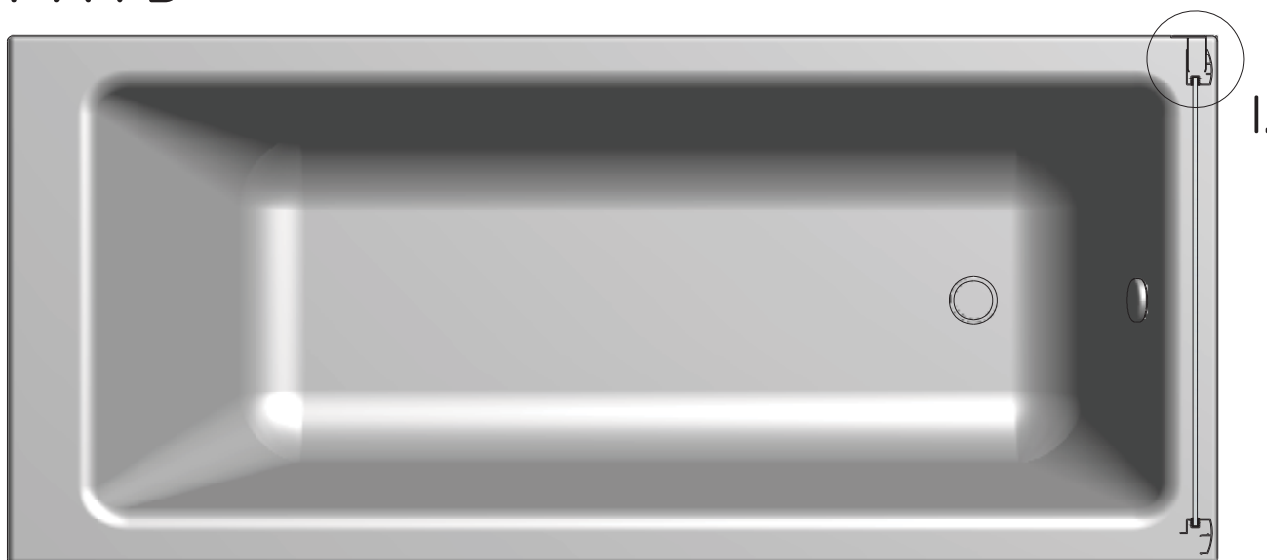
# PXVB



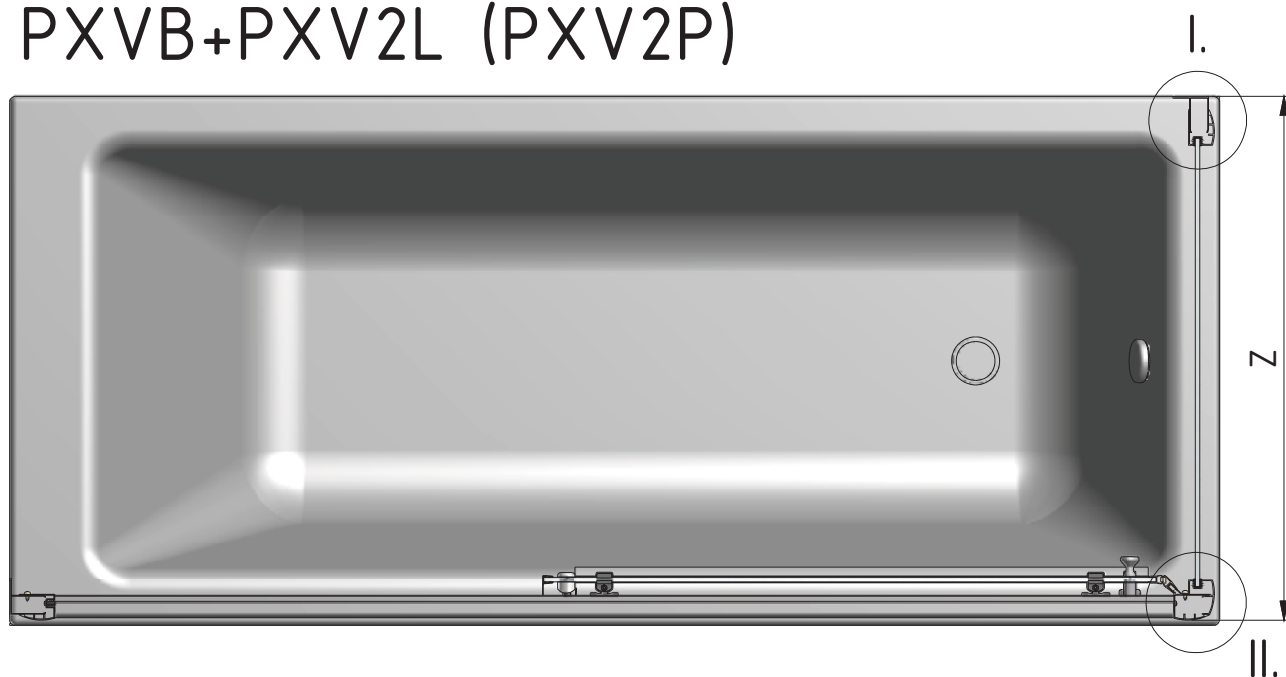
Roth Czech s.r.o; Czech Republic, 56933 Třebořov 160,  
tel.:+420 461 324 301/302  
<http://www.roth-czech.cz>; e-mail: [objednavky@roth-czech.cz](mailto:objednavky@roth-czech.cz)

R01  
MA2124

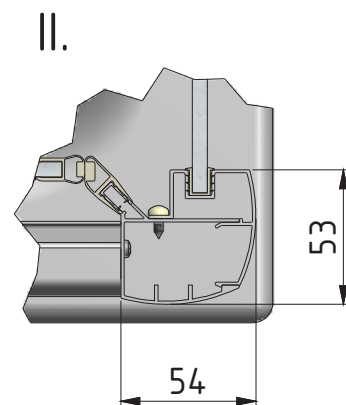
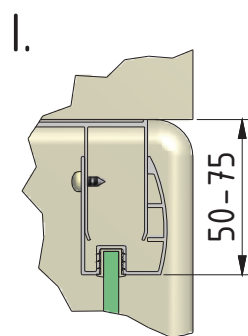
# PXVB



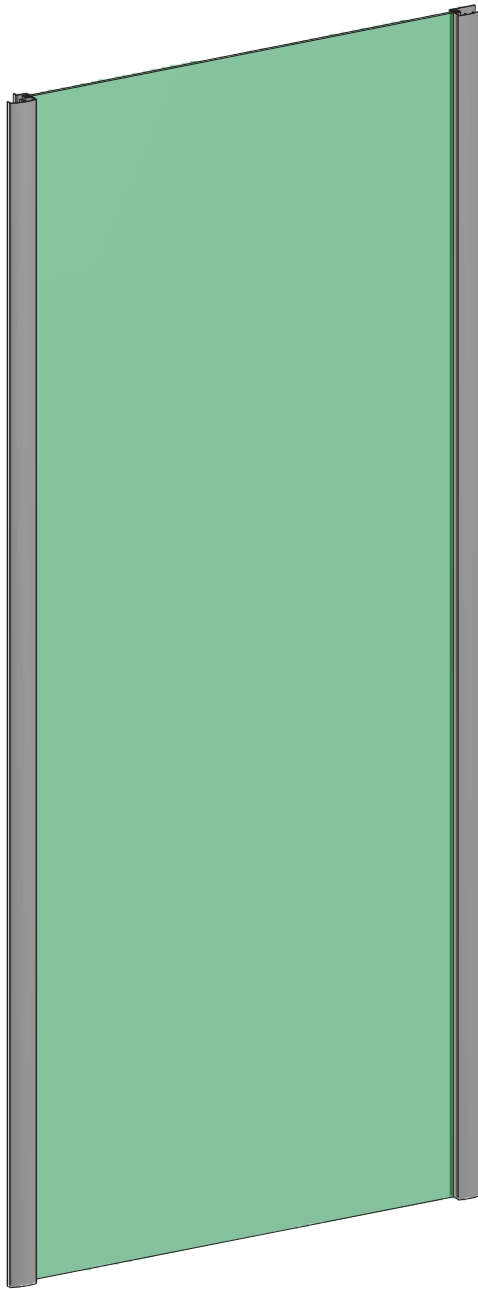
# PXVB+PXV2L (PXV2P)



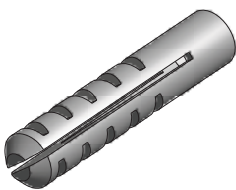
PXVB		
TYP	Z min	Z max
700	680 mm	705 mm
750	730 mm	755 mm
800	780 mm	805 mm



2. 1x  
V192



3. 3x (M0511)  
Ø 6 mm



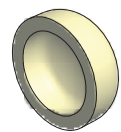
4. 3x (M0795)  
Ø3,5x38 mm

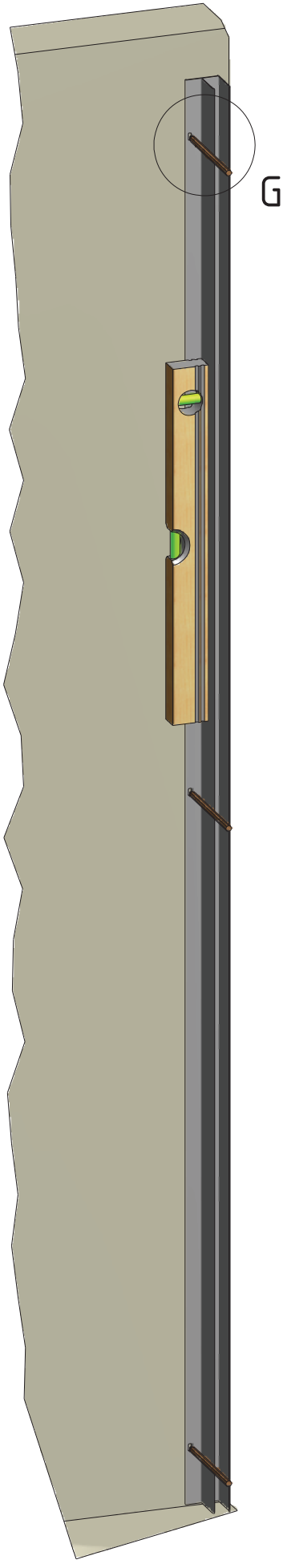


5. 6x (M0806)  
Ø 3,5x9,5 mm

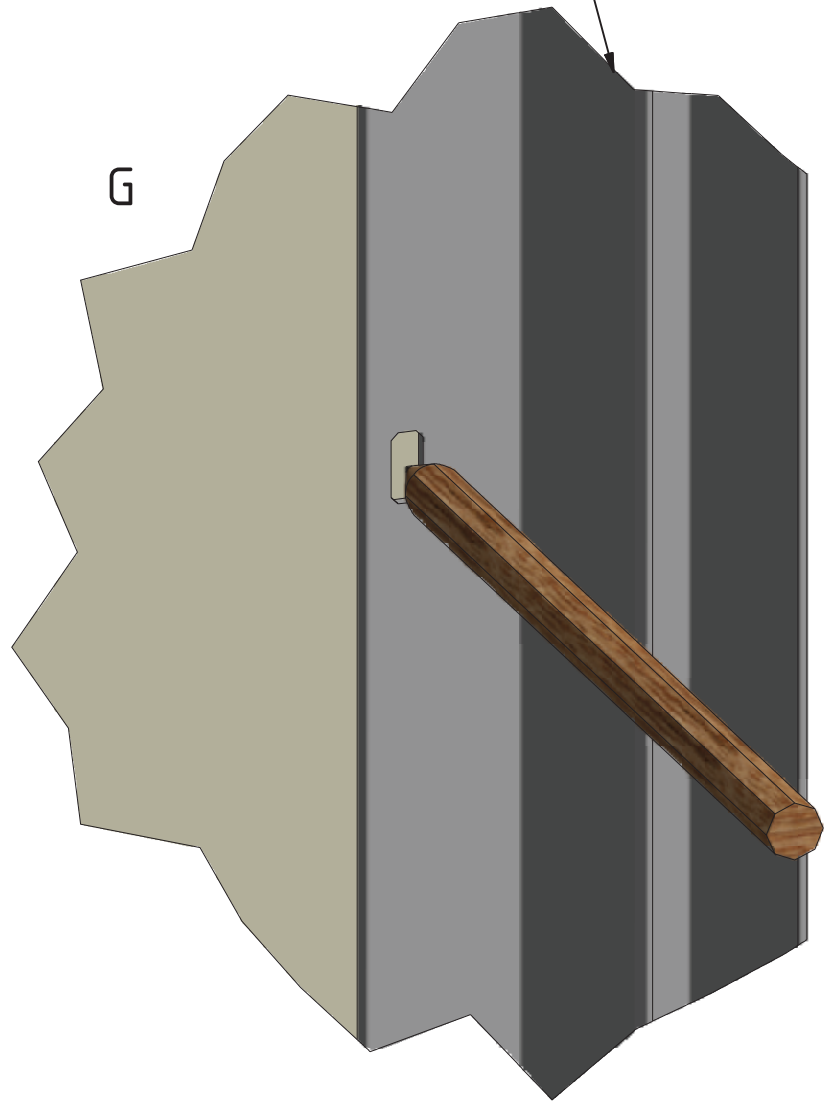


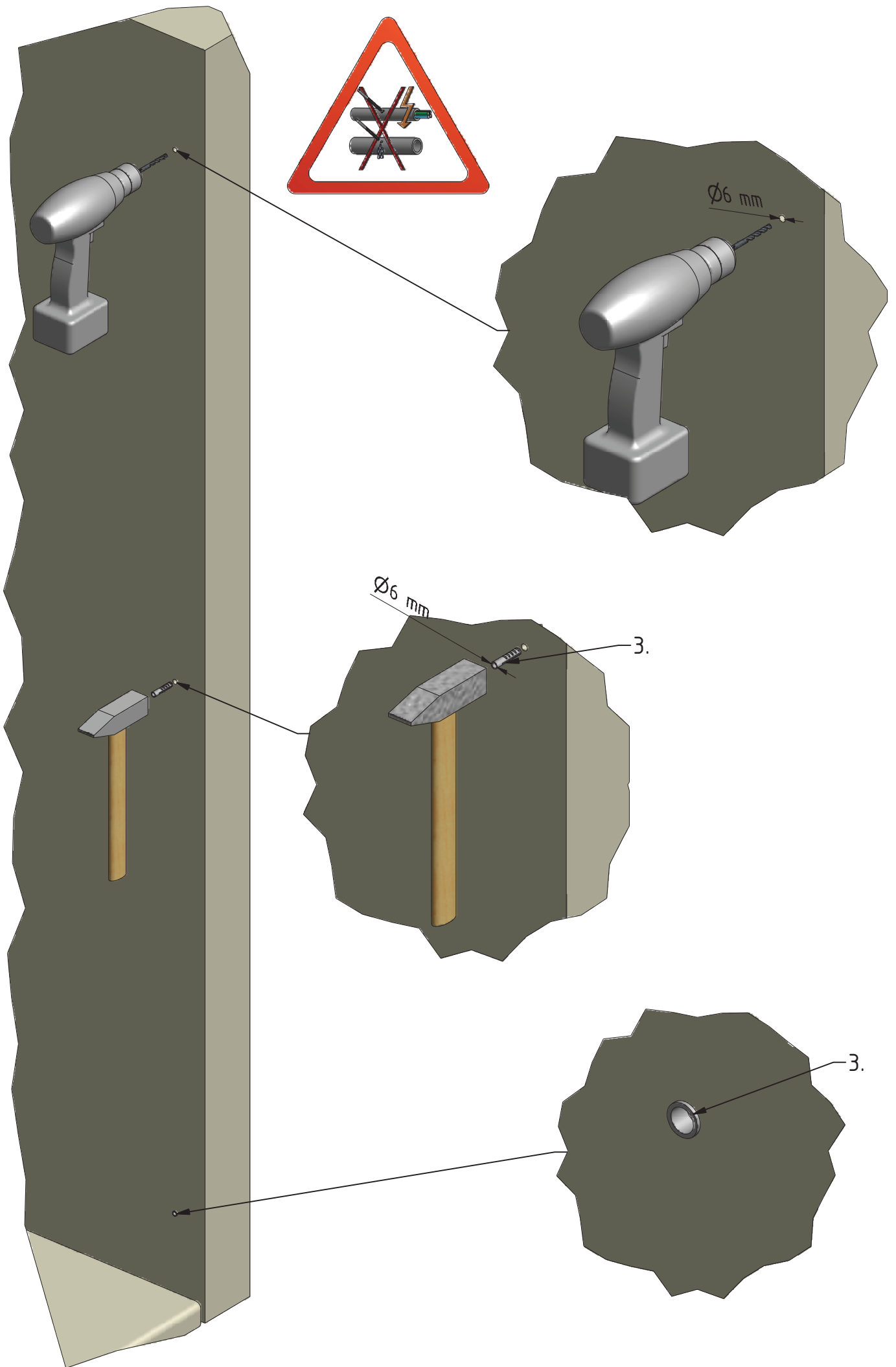
6. 9x (M1907)

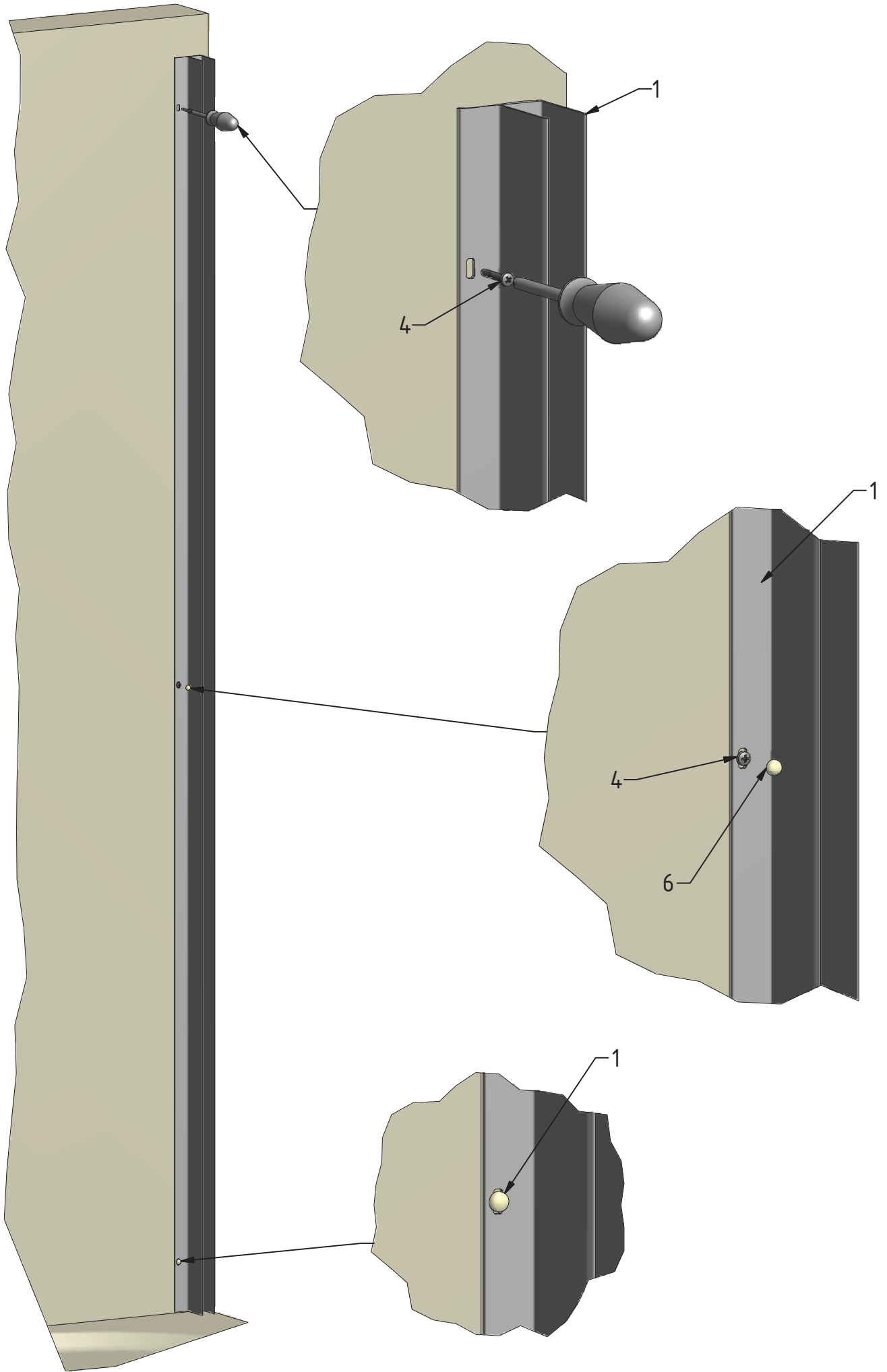


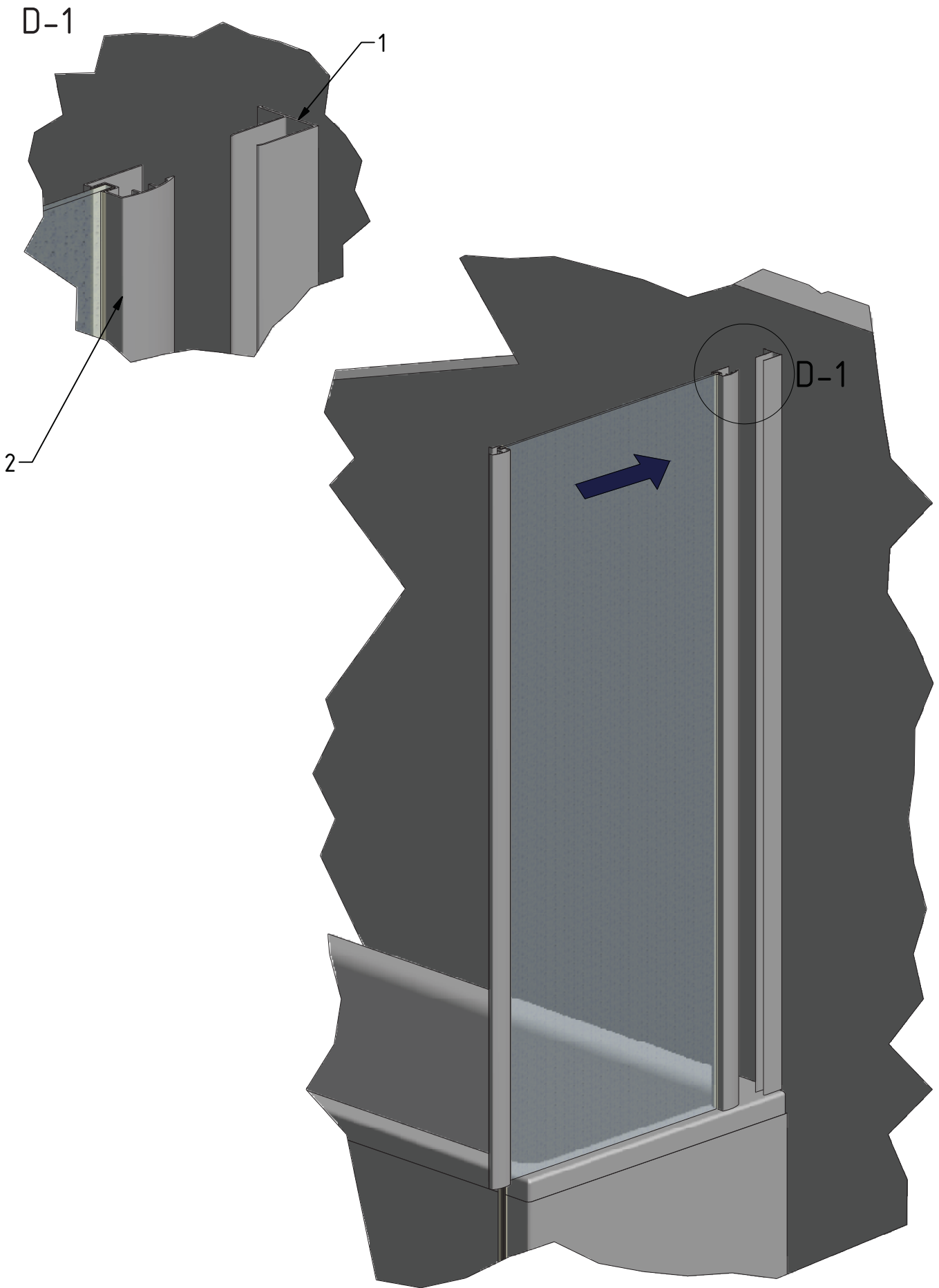


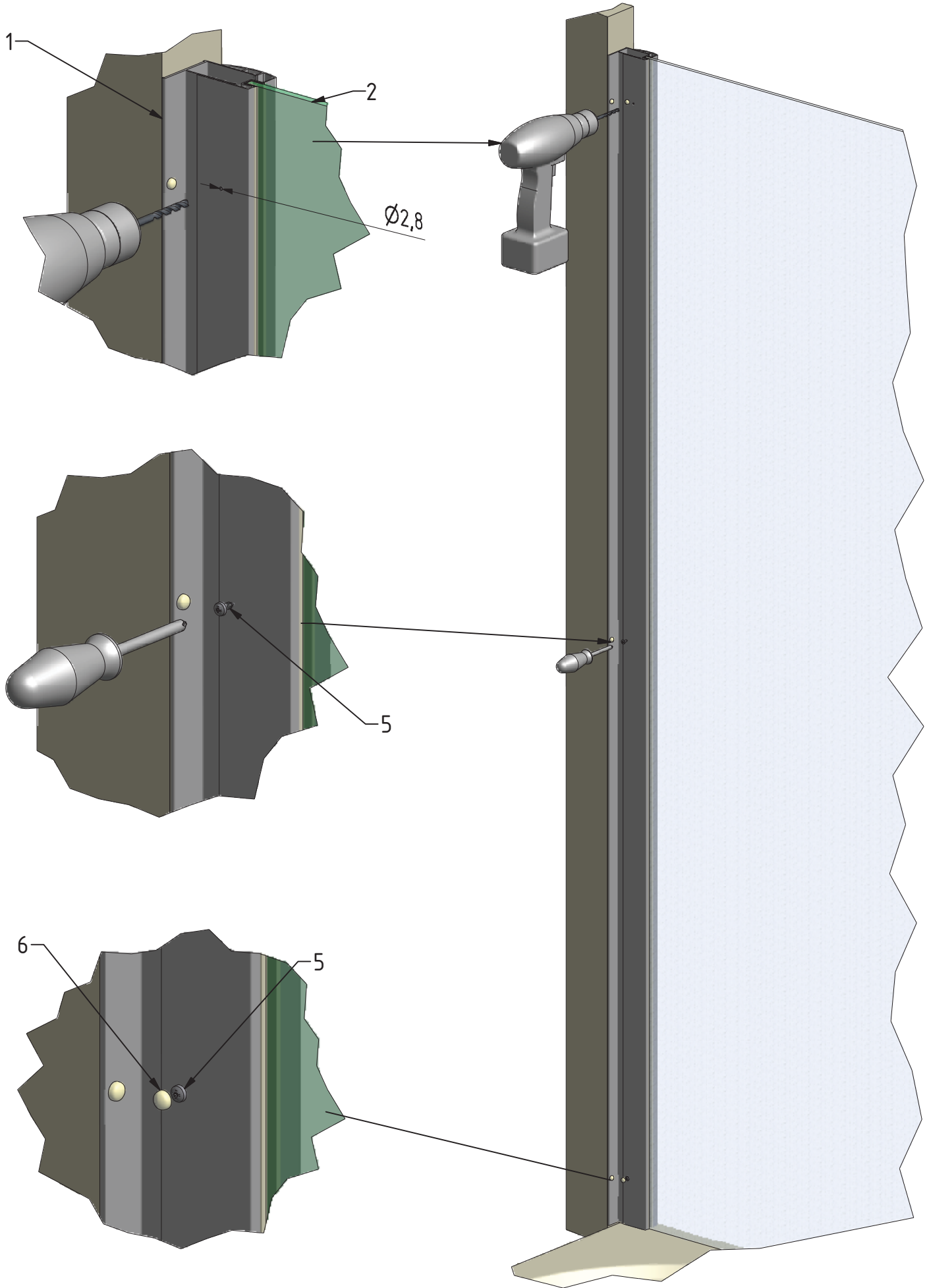
1.  
Manual MA2125  
PXV2L(P)





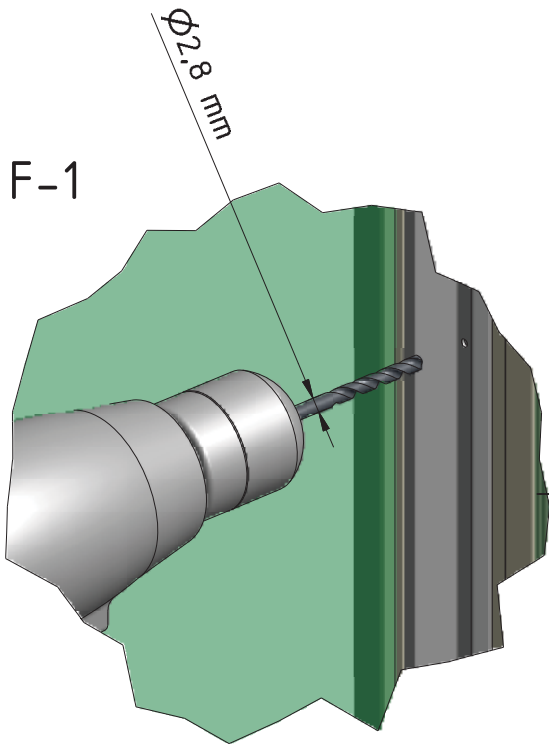




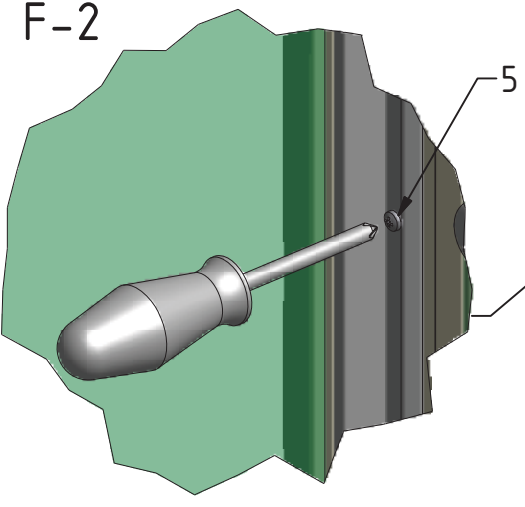




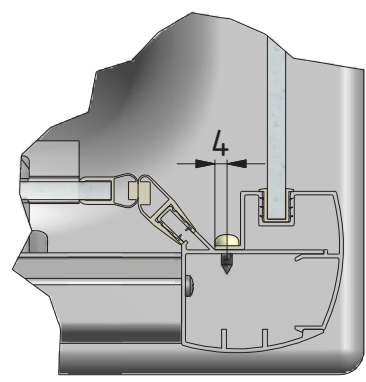
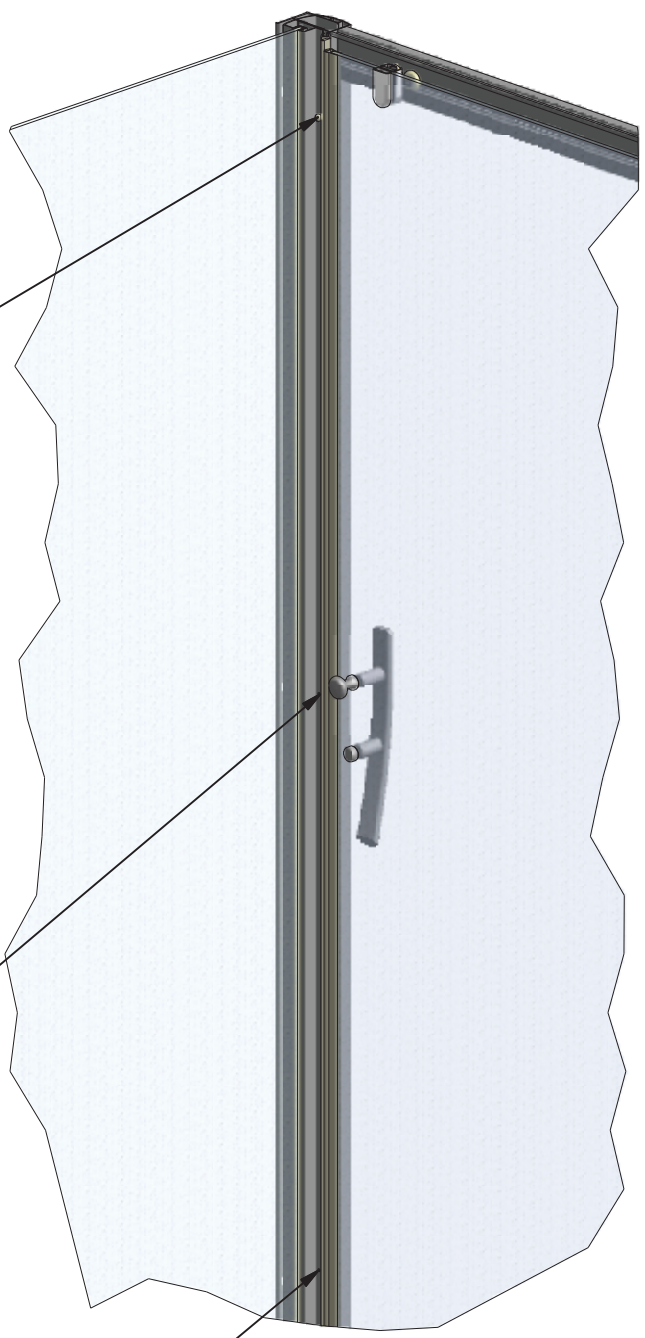
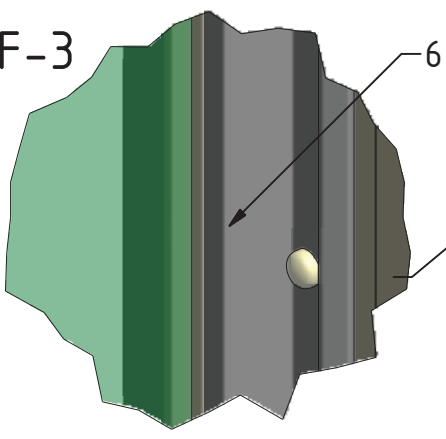
F-1

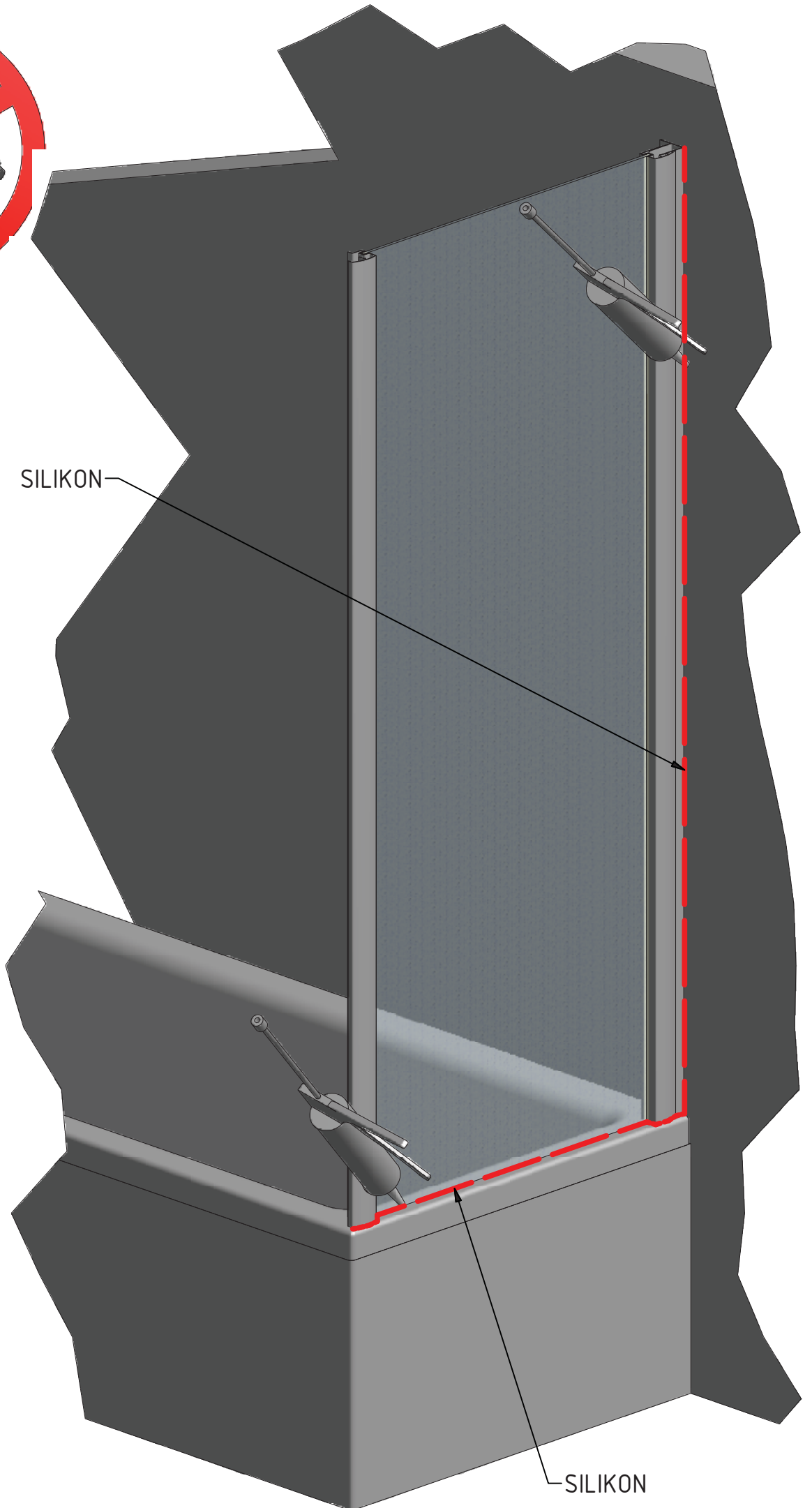


F-2



F-3





SILIKON

SILIKON

V192	700	brillant+clear glass	ND03-0692-00-02
	750		ND03-0693-00-02
	800		ND03-0694-00-02

